



POWERSVIEW[®] MOTORISED SYSTEM

The easy way to control light

Operating and
programming instructions



The product images are symbolic depictions that may differ from the actual products.
Images in the app may vary depending on the operating mode and version.

Operating instructions - table of contents

18 V AND 230 V ROLLER BLINDS

Operation with remote control unit	6
Operation without remote control unit	6

PLEATED AND DUETTE® BLINDS

Operation with remote control unit	7
Operation without remote control unit	7

VENETIAN BLINDS

Operation with remote control unit	8
Operation without remote control unit	8

VERTICAL

Operation with remote control unit	9
Operation without remote control unit	9

Step by step

Installation of a sun protection system	10
The PowerView® components	10
Pairing remote control units	11-13
Duplicating remote control units	14-15
Adding a sun protection system to the remote control unit	16-18
Connecting the hub	19-20
Installing a repeater	21-22
More operations	23-29

Programming instructions - table of contents

VENETIAN BLINDS

Factory settings	31
Connecting a remote control unit to a sun protection system	32
Checking the running direction	33
Adjusting the end positions	34-38
Adjusting the slat position	39-41
Resetting the network	42
Motor indicator LED	43-44

18 V ROLLER BLINDS

Factory settings	45
Connecting a remote control unit to a sun protection system	46
Checking the running direction	47
Adjusting the end positions	48-52
Resetting the network	53
Motor indicator LED	54

230 V ROLLER BLINDS

Factory settings	55
Connecting a remote control unit to a sun protection system	55-56
Checking and changing the running direction	57-58
Adjusting the end positions	59-61
Resetting the end positions	62
Resetting the network	63

PLEATED AND DUETTE® BLINDS

Factory settings	64
Connecting a remote control unit to a sun protection system	65
Checking the running direction	66
Adjusting the end positions	67-70
Resetting the network	71
Motor indicator LED	72-73

Programming instructions - table of contents

VERTICAL

Factory settings	74
Connecting a remote control unit to a sun protection system	75
Checking the running direction	76
Adjusting the end positions	77-81
Resetting the network	82
Motor indicator LED	83-84

18 V AND 230 V ROLLER BLINDS



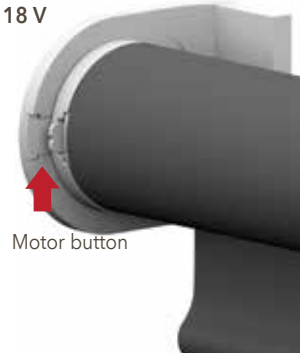
Operation with remote control unit

Select one specific channel or all channels at once (buttons 1-6 or ALL button). The channel button you have selected lights up.

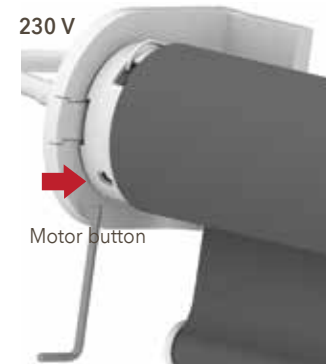
- ▼ Press the CLOSE button to lower the roller blind.
- ▲ Press the OPEN button to raise the roller blind.
- ⏪ Press the left arrow button to slowly close the roller blind completely.
- ⏩ Press the right arrow button to slowly open the roller blind completely.
- You can press the STOP button at any time to stop the roller blind in that position.
- ♥ Press the Favourite button to move the roller blind to the position you have already set as the favourite. Refer to the operating instructions for information on how to set a favourite position (page 24).

Operation without remote control unit

18 V



230 V



- To lower the roller blind, hold the Motor button down for three seconds.
- To stop the motor, press the Motor button again.
- To raise the roller blind, hold the Motor button down for three seconds.

PLEATED AND DUETTE® BLINDS

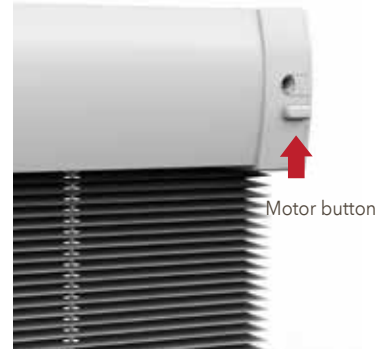


Operation with remote control unit

Select one specific channel or all channels at once (buttons 1-6 or ALL button). The channel button you have selected lights up.

- ▼ Press the CLOSE button to lower the pleated blind.
- ▲ Press the OPEN button to raise the pleated blind.
- ⌋ Press the left arrow button to slowly close the pleated blind completely.
- ⌋ Press the right arrow button to slowly open the pleated blind completely.
- You can press the STOP button at any time to stop the pleated blind in that position.
- ♥ Press the Favourite button to move the pleated blind to the position you have already set as the favourite. Refer to the operating instructions for information on how to set a favourite position (page 24).

Operation without remote control unit



- To lower the pleated blind, briefly press the Motor button.
- To stop the motor, briefly press the Motor button.
- To raise the pleated blind, briefly press the Motor button.

VENETIAN BLINDS

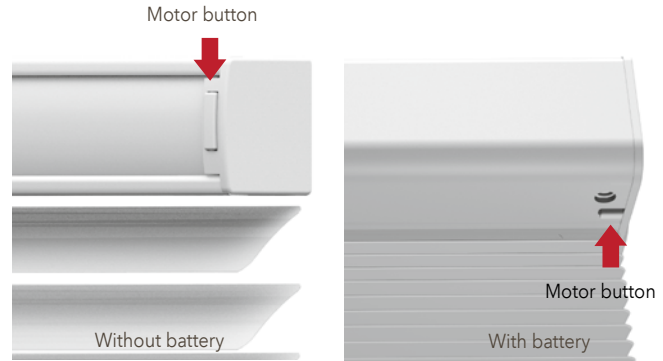


Operation with remote control unit

Select one specific channel or all channels at once (buttons 1-6 or ALL button). The channel button you have selected lights up.

- ▼ Press the CLOSE button to lower the venetian blind.
- ▲ Press the OPEN button to raise the venetian blind.
- ⌋ Press the left arrow button to slowly close the venetian blind completely.
- ⌋ Press the right arrow button to slowly open the venetian blind completely.
- You can press the STOP button at any time to stop the venetian blind in that position.
- ♥ Press the Favourite button to move the venetian blind to the position you have already set as the favourite. Refer to the operating instructions for information on how to set a favourite position (page 24).

Operation without remote control unit



- To lower the venetian blind, briefly press the Motor button.
- To stop the motor, briefly press the Motor button.
- To raise the venetian blind, briefly press the Motor button.

VERTICAL



Operation with remote control unit

Select one specific channel or all channels at once (buttons 1-6 or ALL button). The channel button you have selected lights up.

- ▼ Press the CLOSE button to close the vertical system.
- ▲ Press the OPEN button to open the vertical system.
- ⤵ ⤴ Press the curved arrow buttons to turn the slats to the desired inclination angle.
- You can press the STOP button at any time to stop the system in that position.
- ♥ Press the Favourite button to move the vertical system to the position you have already set as the favourite. Refer to the operating instructions for information on how to set a favourite position (page 24).

Operation without remote control unit



- To close the vertical system, briefly press the Motor button.
- To stop the motor, briefly press the Motor button.
- To open the vertical system, briefly press the Motor button.

Step by step

STEP 1

Installation of a sun protection system

Make sure that your sun protection system has been installed properly and is connected to a power supply (battery or mains).

STEP 2

The PowerView® components

This package will contain one or more remote control units (with a Pebble® or wall bracket), a repeater and potentially a hub, depending on your scope of delivery. You will only need the hub if you want to control your sun protection system with your smartphone or tablet. Please make sure you have all the remote control units you ordered before starting the installation.



Pebble® remote control unit



Wall bracket with remote control unit



Pebble® scenario controller
(only in conjunction with a hub)



Wall bracket with scenario controller



Hub (optional), required to enable operation via smartphone or tablet



Repeater (optional)

Step by step

STEP 3

Pairing remote control units

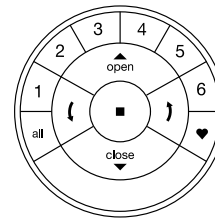
If you just have one remote control unit, please go to step 5.

By pairing your PowerView® remote control units, you are making sure that all your remote control units are part of the same PowerView® network. This is important for ensuring the installation of the PowerView® system runs smoothly.

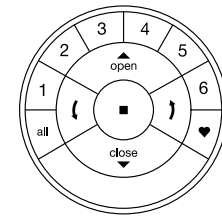
- 3.1 Take hold of two remote control units and name them "remote control unit 1" and "remote control unit 2".

Follow the instructions provided.

Repeat these steps if you have more than two remote control units.



Remote control unit 1



Remote control unit 2

Step by step

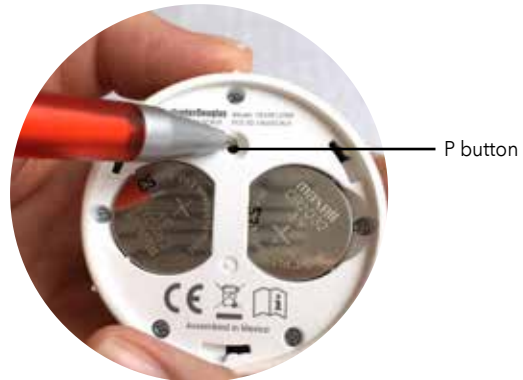
REMOTE CONTROL UNIT 2

- 3.2 Remove the rear cover if applicable.
Leave the batteries in situ.



REMOTE CONTROL UNIT 2

- 3.3 Hold the P button down for six seconds.
The channel buttons on the front light up when you first press the button, then again after six seconds.



Step by step

REMOTE CONTROL UNIT 2

- 3.4 Reattach the rear cover.

REMOTE CONTROL UNIT 1

- 3.5 Press the ■ STOP button for six seconds.
Hold the button down until the light on the remote control unit starts to flash.

REMOTE CONTROL UNIT 2

- 3.6 Press the ■ STOP button and hold it down.

REMOTE CONTROL UNIT 1

- 3.7 Press the ■ STOP button and hold it down.
- 3.8 Release the ■ STOP button on both remote control units.
The channel buttons on remote control unit 2 will flash to confirm.
- 3.9 If the channel buttons on remote control unit 2 are still flashing, press the ■ STOP button for six seconds.
Hold the button down until the flashing stops.

Do you have a third or fourth remote control unit?

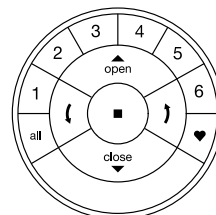
Take one of the two remote control units you have just configured and name it "remote control unit 1". Take your third remote control unit and name it "remote control unit 2". Now go back to step 3.2 and repeat from there.

Step by step

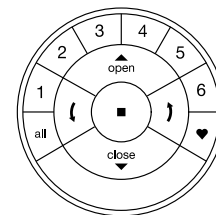
STEP 4

Duplicating remote control units

Take hold of two remote control units and name them "remote control unit 1" and "remote control unit 2".



Remote control unit 1



Remote control unit 2

REMOTE CONTROL UNIT 2

- 4.1 Remove the rear cover if applicable.

Leave the batteries in situ.

Hold the P button down for six seconds.

(The channel buttons on the front light up when you first press the button, then again after six seconds.)

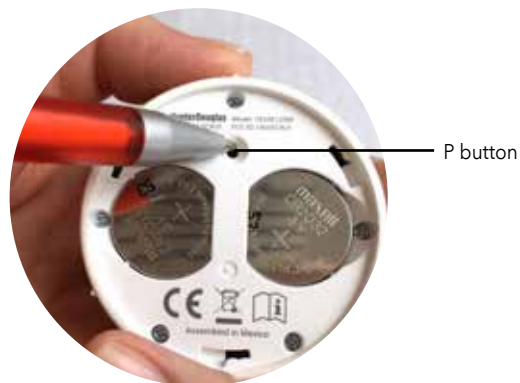
REMOTE CONTROL UNIT 2

- 4.2 Reattach the rear cover.

REMOTE CONTROL UNIT 1

- 4.3 Press the STOP button for six seconds.

(Hold the button down until the light on the remote control unit starts to flash.)



REMOTE CONTROL UNIT 2

- 4.4 Press the ALL button and hold it down.

REMOTE CONTROL UNIT 1

- 4.5 Press and release the STOP button.

(The channel buttons on the target remote control unit flash twice to confirm.)

REMOTE CONTROL UNIT 2

- 4.6 Release the ALL button.

REMOTE CONTROL UNIT 1

- 4.7 If remote control unit 1 is still flashing, press the STOP button for six seconds.

(The channel buttons on the target remote control unit flash twice to confirm.)

Step by step

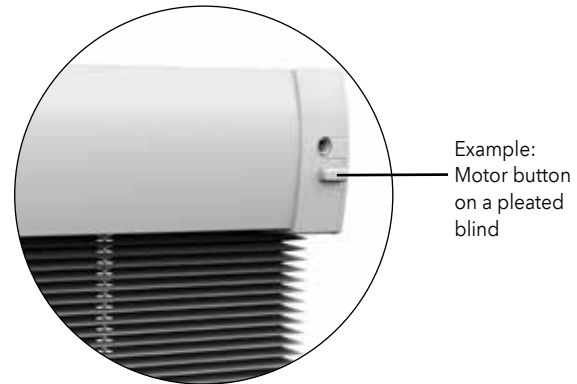
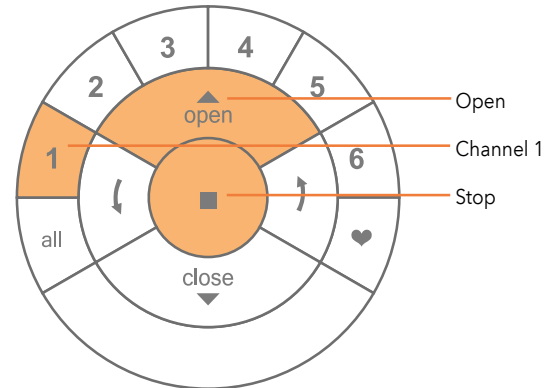
STEP 5

Adding a sun protection system to the remote control unit

One remote control unit can operate up to six different groups of systems (channel buttons 1-6). The instructions below show you how to assign a system to channel 1. If you want to use a different channel number, of course you can select that instead.

To follow these instructions, first familiarise yourself with the ▲ OPEN button, channel button 1 and the ■ STOP button on your remote control unit.

The Motor button is located on your sun protection system. The position of the Motor button will vary according to your system model.



Step by step

- 5.1 Hold the **■ STOP** button down for six seconds.
The light on the remote control unit starts to flash.
 - 5.2 Press channel button **1** or the channel button you want to use (1-6).
The selected channel is activated on your remote control unit.
-

5.3 Hold the Motor button down.

You must press this sequence of buttons within three seconds.

- 5.4 Press the **▲ OPEN** button at the same time.
Your sun protection system will briefly move up and down.
-

5.5 Release the Motor button.

- 5.6 If the channel buttons on the remote control unit are still flashing, hold the **■ STOP** button down for six seconds.
Hold the button down until the flashing stops.

Your system has now been assigned to channel **1** on the remote control unit.

If the system cannot be moved using the remote control unit, it may be too far away. In this case you should install a repeater, which extends the range of the signal transmitted by the remote control unit.

Step by step

STEP 6

Connecting the hub

The hub is an optional purchase. If your PowerView® package does not contain a hub, you can go straight to the "More operations" section from page 23.

6.1 Connect your hub to the USB power supply unit.

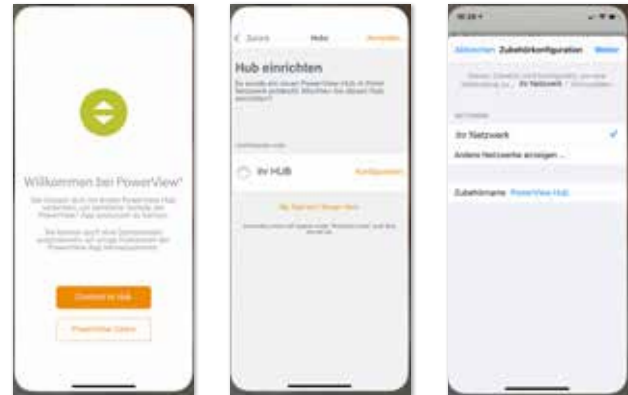
Note: During the start-up process, the LED on the hub may flash on and off. Once the hub has completed the process, the hub LED will light up magenta continuously. Do not interrupt the start-up process by disconnecting the power supply or pressing the buttons on the rear of the hub.



The hub should be positioned in a central location to achieve an optimum range (if the range is insufficient, please install an optional repeater).

Step by step

- 6.2 Connect the hub to a router.
Download the PowerView app:



CONNECTION VIA WI-FI:

- 6.3 Open the PowerView® app on your smartphone or tablet.
Follow the on-screen instructions to connect the hub to your Wi-Fi network.

Once the hub is connected to your home network, it lights up magenta to indicate it is ready.

CONNECTION VIA ETHERNET CABLE (OPTIONAL):

Caution: When adding the hub to your home network/LAN via Ethernet, you should first connect the hub to the router and then to the power supply.

- 6.4 Connect the Ethernet cable to the hub and a LAN port on your router.



Step by step

6.5 Watch the light on the hub.

The LED indicates the device status:

- **Light blue:**
Power is on.
- **Light blue, flashing:**
Hub is starting up.
- **Orange:**
Hub is loading and installing updates. Please be patient, this can take between 5 and 15 minutes.
Make sure there is no firewall blocking the hub.
- **Magenta:**
Hub is ready to connect to the home network.
- **Orange, flashing:**
Hub is ready to join the PowerView® network.
- **Dark blue, steady:**
Hub is connected to the PowerView® network.
- **Dark blue, flashing:**
Hub is sending a PowerView® signal.
- **Green, steady:**
Hub is connected to the PowerView® network.
(secondary hub)
- **Green, flashing:**
Hub is sending a PowerView® signal.
(secondary hub)
- **Red, steady:**
Connection to the home network failed.

STEP 7

Installing a repeater

7.1 Plug the repeater into the socket.

The LED flashes orange. This means the repeater is connected to the power supply, but has not been added to a PowerView® network yet.

- Do not install more than six repeaters.
- Do not expose the repeater to direct sunlight.

7.2 Connect the repeater to a PowerView® network (via the PowerView® app).

- Open the PowerView® app and select "Accessories - Repeaters".
- Follow the on-screen instructions to add each repeater into your network.
- The LED on the repeater lights up blue continuously once the repeater has been added to the PowerView® network.
- Follow the on-screen instructions to change the repeater's LED colours, for example.



Step by step

- 7.3 Connect the repeater to a PowerView® network (via the PowerView® remote control unit).
- 1 Press the ■ STOP button on the remote control unit and hold it down. The lights on the remote control unit start to flash. Use the same remote control unit you used to set up your PowerView® network.
 - 2 Hold the remote control unit close to your repeater. We recommend a maximum distance of 90 cm.
 - 3 Press the ■ STOP button. The repeater flashes blue three times to indicate it has been added to the PowerView® network.

Step by step

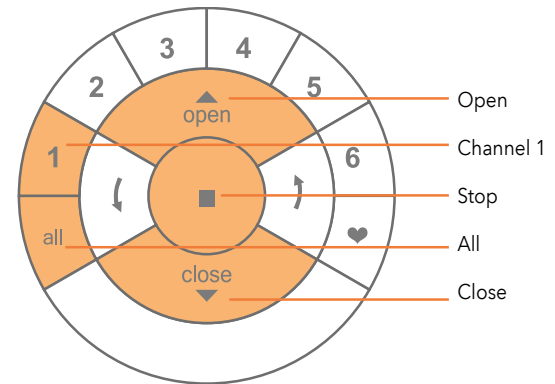
MORE OPERATIONS

Your PowerView® network is now set up and you can adjust it to meet your needs. Follow the steps in this section.

OPERATING A SYSTEM

To follow these instructions, first familiarise yourself with the ▲ OPEN button, channel button 1, ■ STOP button, ALL button and ▼ CLOSE button on your remote control unit.

- 1 Press channel button 1.
Of course, you can select a different channel if you want. The button lights up.
- 2 Press the ▲ OPEN button.
The system assigned to the selected channel opens.
- 3 Press the ■ STOP button.
The system assigned to the selected channel stops moving.
- 4 Press the ▼ CLOSE button.
The system assigned to the selected channel closes.



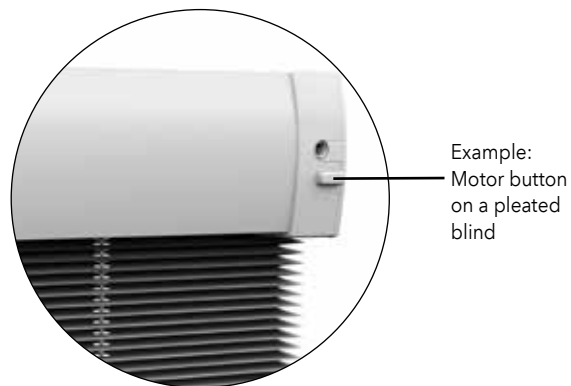
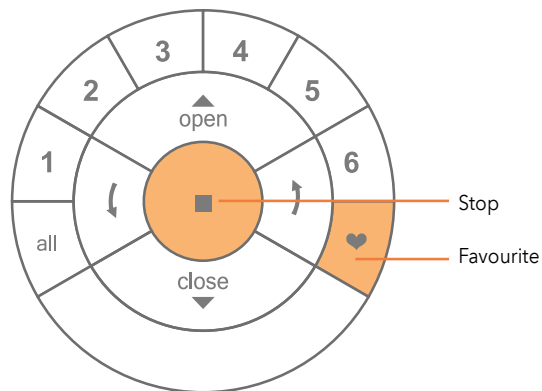
If you press the ALL button instead of channel button 1, all of the sun protection systems assigned to all channels will be operated.

Step by step

SETTING A FAVOURITE POSITION

To follow these instructions, first familiarise yourself with the ■ STOP button and the ♥ FAVOURITE button on your remote control unit.

The Motor button is located on your sun protection system.
The position of the Motor button will vary according to your system model.



Step by step

- ① Move your sun protection system to your favourite position.
You do this by using the ▲ OPEN, ▼ CLOSE and ■ STOP buttons to move the system.

- ② Hold the ■ STOP button down for six seconds.
The light on the remote control unit starts to flash.

- ③ Hold the Motor button down.

- ④ Press the ♥ FAVOURITE button at the same time.
The system will briefly move up and down.

- ⑤ Release the Motor button.

- ⑥ If the light on your remote control unit is still flashing,
press the ■ STOP button for six seconds.
Hold the button down until the light stops flashing.

**You must press this sequence
of buttons within three seconds.**

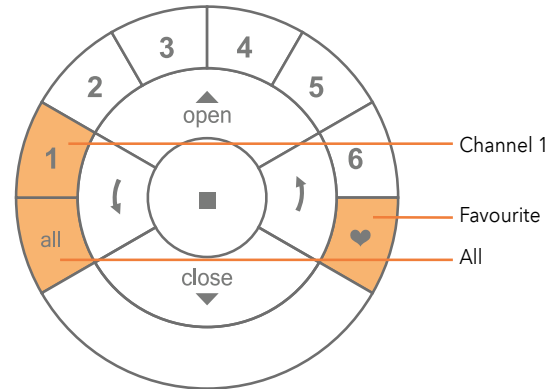
Step by step

MOVING THE SUN PROTECTION SYSTEM TO YOUR FAVOURITE POSITION

To follow these instructions, first familiarise yourself with channel button 1, the ♥ FAVOURITE button and the ALL button on your remote control unit.

Perform these steps to move all the systems assigned to this channel button to your favourite position:

- 1** Press channel button **1**.
Channel 1 lights up. If you press the ALL button instead of the channel button, all of the systems assigned to the remote control unit will move to your favourite position.
- 2** Press the ♥ FAVOURITE button.
All the systems assigned to this channel button will now move to your favourite position.

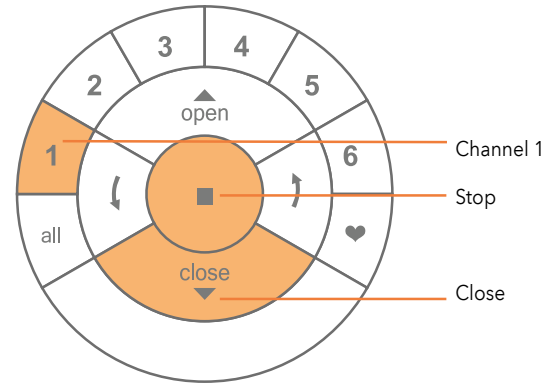


Step by step

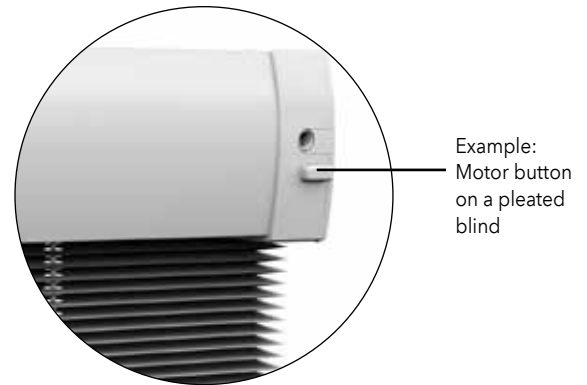
REMOVING A SYSTEM FROM A GROUP ON YOUR REMOTE CONTROL UNIT

Perform this step to remove a sun protection system from your remote control unit, but not from the PowerView® network.

You will need to use channel button 1, the ■ STOP button and the ▼ CLOSE button on your remote control unit for this step.



The Motor button is located on your sun protection system. The position of the Motor button will vary according to your system model.



Step by step

- 1 Hold the ■ STOP button down for six seconds.
The light on the remote control unit starts to flash.
- 2 Briefly press channel button 1.
Channel 1 is now activated.

- 3 Hold the Motor button down.
- 4 Press the ▼ CLOSE button at the same time.
Your sun protection system will briefly move up and down.

- 5 Release the Motor button.
- 6 If the channel buttons on remote control unit 2 are still flashing, press the ■ STOP button for six seconds.
Hold the button down until the flashing stops.

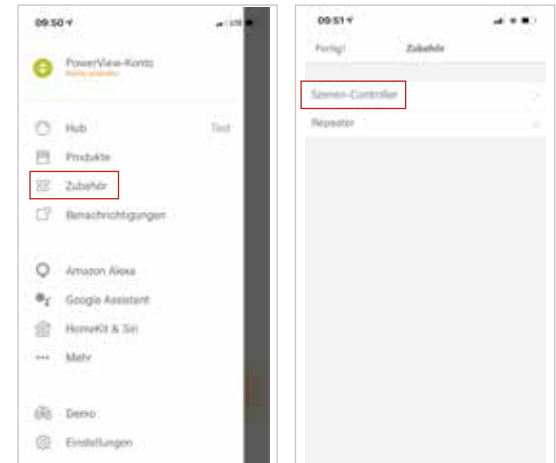
**You must press this sequence
of buttons within three seconds.**

Step by step

USING THE SCENARIO CONTROLLER TO INSTALL SCENARIOS

The scenarios you have created in the app are applied to your systems using the scenario controller.

- 1 Open the app, then open the menu.
- 2 Select the SCENARIO controller in the menu.
Now follow the in-app instructions.



HUB FUNCTIONS

"R" reset button:

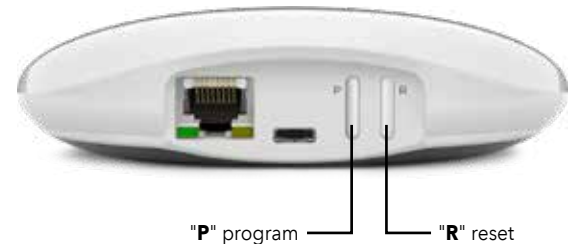
Press briefly: restart

Press and hold for approx. six seconds: reset to factory settings

"P" program button:

Press briefly: emit signal

Press and hold for approx. six seconds: update



"P" program "R" reset

POWERVIEW®

Programming with the remote control unit

Programming instructions for trained and qualified personnel only!

VENETIAN BLINDS

1. FACTORY SETTINGS


Upon delivery, neither the remote control unit nor the hub are connected. The end positions and motor have been preset for your product at the factory. If the motor setting is unknown prior to reprogramming, perform the steps below.


1.1 Checking the motor type

The motor can be programmed as a 16 mm venetian blind motor or a 25 mm or 35 mm venetian blind motor. To check which motor type has been set, watch out for the sequence of LED lights that appears after the system is switched on.

1.1.1 Switch the motor on by connecting the power cable to the battery or the mains.

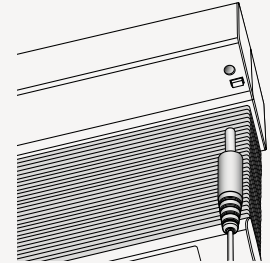
1.1.2 Watch the sequence of LED lights that appears on the Motor button immediately after connection.

 16 mm venetian blind

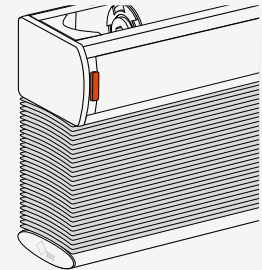
 25 mm, 35 mm venetian blind

Caution: If the motor type does not match your system, you must change the setting. To do so, use the PowerView® programming tool.

1.1.1



1.1.2



Battery not shown

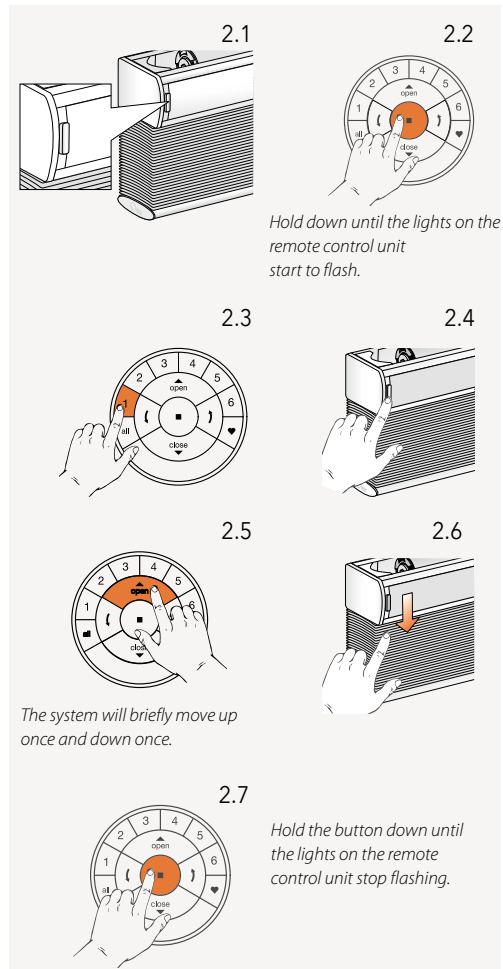
2. CONNECTING A REMOTE CONTROL UNIT TO A SUN PROTECTION SYSTEM

One PowerView® remote control unit can operate up to six individual system channels (buttons 1-6 on the top part of the remote control unit). Follow the instructions below to assign a system to a channel.

Caution: You must perform steps 2.4 and 2.5 within three seconds!

- 2.1 Find the Motor button on your system.
- 2.2 Hold the STOP button on the remote control unit down for six seconds.
- 2.3 Press the channel button you want to use.
- 2.4 Hold the Motor button down.
- 2.5 Press the OPEN button.
- 2.6 Release the Motor button.
- 2.7 If the buttons on the remote control unit are still flashing, the unit is still in programming mode. Hold the STOP button down for six seconds to make the unit exit programming mode.

Note: The remote control unit will automatically exit programming mode after 20 seconds.



3. CHECKING THE RUNNING DIRECTION

Caution: The running direction can only be changed when the motor is connected for the first time or when the end positions have been reset. Before programming the end positions, you should check the running direction and, if necessary, correct it. If the end positions have already been set and the running direction needs to be changed, always reset the end positions before continuing.

3.1 Setting the motor to programming mode

Caution: You must perform steps 3.1.1 and 3.1.2 within three seconds!

3.1.1 Hold the Motor button down.

3.1.2 Press the OPEN button on the remote control unit.

Note: Make sure that the required channel has been selected on the remote control unit.

3.1.3 Release the Motor button.

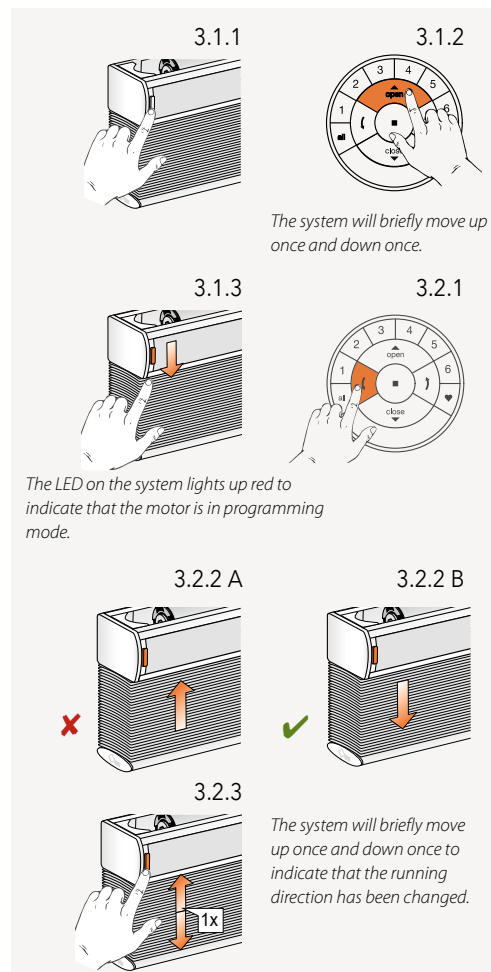
3.2 Checking and confirming

3.2.1 Press the left arrow button to check the running direction.

3.2.2 A) If the system moves up, press the STOP button immediately.
B) If the system moves down, press the STOP button and go to step 4.1.4.

3.2.3 Hold the Motor button down for one second to change the running direction.

3.2.4 Go to step 4.1.4.



4. ADJUSTING THE END POSITIONS

Whether you start with the top or bottom end position is irrelevant. These instructions start with the top end position.

4.1 Top end position

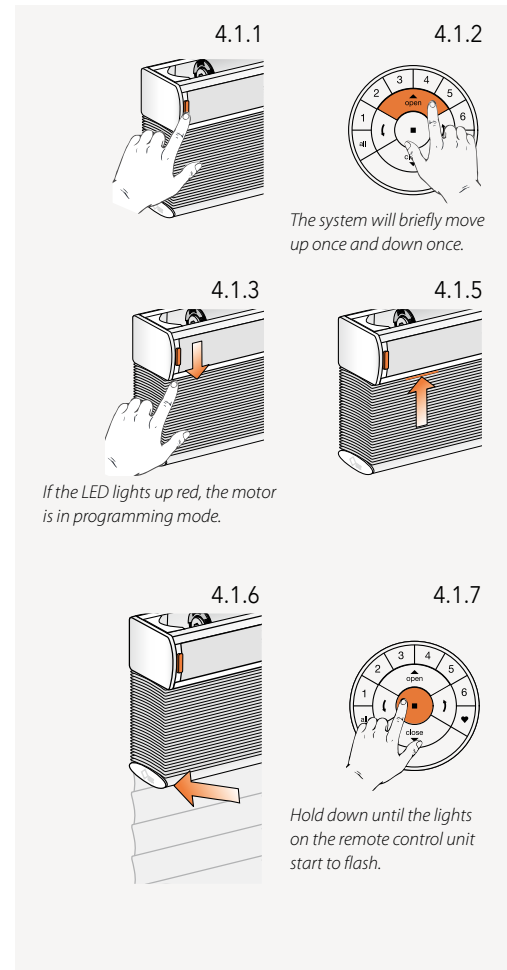
- 4.1.1 Hold the Motor button down.
- 4.1.2 Press the OPEN button.
- 4.1.3 Release the Motor button.

Note: Make sure that the required channel has been selected on the remote control unit.

- 4.1.4 Press the OPEN, STOP and CLOSE buttons to move the system until it is about 20 cm below the header rail.
- 4.1.5 Press the OPEN button to raise the system up to the header rail. The motor will stop as soon as the system touches the header rail.
- 4.1.6 Press the OPEN, STOP and CLOSE buttons to move the system to the required top end position.

Caution: Do not select a channel button on the remote control unit.

- 4.1.7 Hold the STOP button down for six seconds.



Caution: You must perform steps 4.1.8 and 4.1.9 within three seconds!

Note: The remote control unit will automatically exit programming mode after 20 seconds.

4.1.8 Hold the Motor button down.

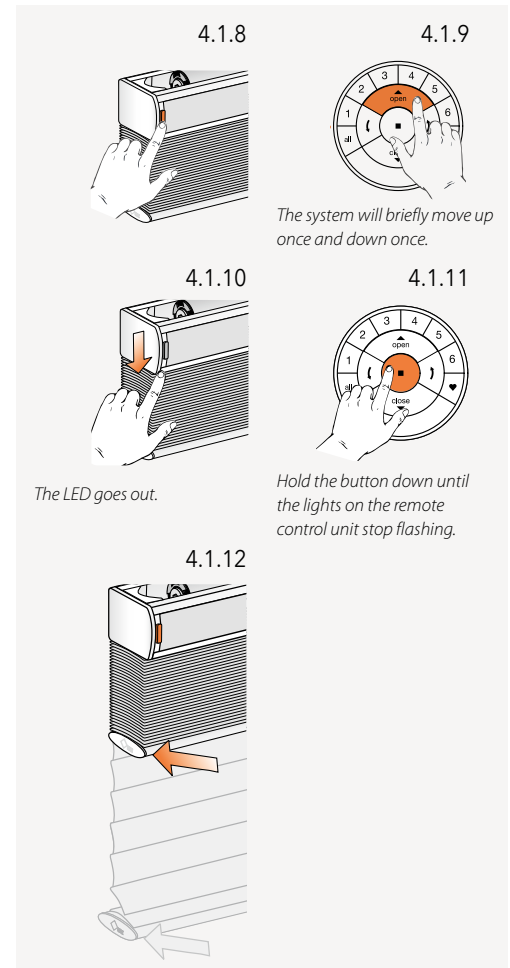
4.1.9 Press the OPEN button at the same time.

4.1.10 Release the Motor button.

4.1.11 If the buttons on the remote control unit are still flashing, the unit is still in programming mode. Hold the STOP button down for six seconds to make the unit exit programming mode.

4.1.12 The top end position is set!

Note: To readjust the top end position, repeat from step 4.1.



4.2 Bottom end position

Note: Make sure that the required channel has been selected on the remote control unit.

4.2.1 Hold the Motor button down.

4.2.2 Press the CLOSE button on the remote control unit at the same time.

4.2.3 Release the Motor button.

4.2.4 Press the OPEN, STOP and CLOSE buttons to move the system to the required bottom position.

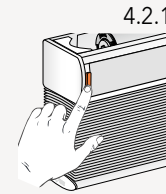
Caution: Do not select a channel button on the remote control unit!

4.2.5 Hold the STOP button down for six seconds.

Caution: You must perform steps 4.2.6 and 4.2.7 within three seconds!

4.2.6 Hold the Motor button down.

4.2.7 Press the CLOSE button.

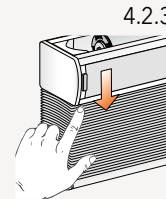


4.2.1



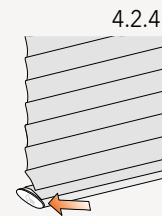
4.2.2

The system will briefly move up once and down once.



4.2.3

If the LED lights up red, the motor is in programming mode.

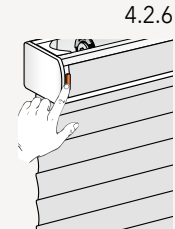


4.2.4



4.2.5

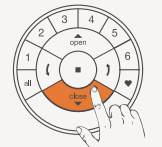
Hold down until the lights on the remote control unit start to flash.



4.2.6

4.2.7

The system will briefly move up once and down once.



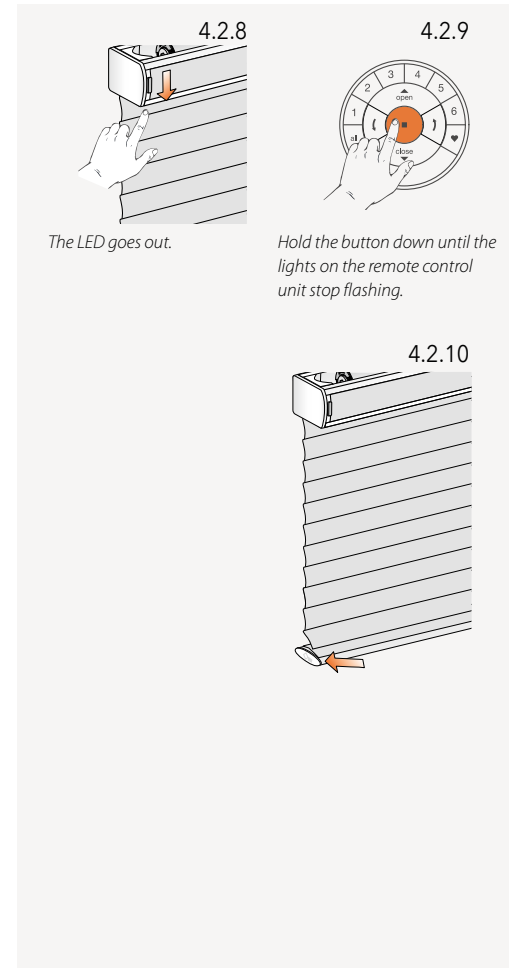
4.2.8 Release the Motor button.

4.2.9 If the buttons on the remote control unit are still flashing, the unit is still in programming mode. Hold the STOP button down for six seconds to make the unit exit programming mode.

Note: The remote control unit will automatically exit programming mode after 20 seconds.

4.2.10 The bottom end position is set!

Note: To readjust the bottom end position, repeat from step 4.2.



4.3 Resetting the end positions (without battery)

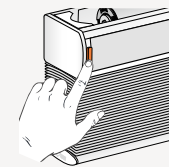
The procedure below deletes all end position settings from the motor memory. It does not delete the network ID or the channel assignments. Resetting the end positions will render the PowerView® remote control unit or app incapable of controlling a sun protection system until the remote control unit or app is reprogrammed.

- 4.3.1 Disconnect the motor power cable from the power source or the motor and wait for 20 seconds.

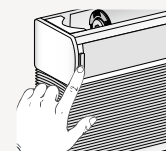
Note on battery-driven venetian blinds: The battery is integrated in the system. The power supply must be disconnected to reset the end positions. You will need to remove the front-mounted profile before you can disconnect the cable between the battery and the motor.

- 4.3.2 Hold the Motor button down.
- 4.3.3 Reconnect the motor to its power source while holding the Motor button down.
- 4.3.4 Hold the Motor button down until the system briefly moves up once and down once.
- 4.3.5 Release the Motor button.
The end positions are now deleted.

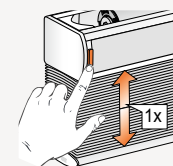
4.3.2



4.3.3

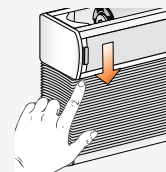


4.3.4



The LED lights up red/green.

4.3.5



The product images are symbolic depictions that may differ from the actual products.

5. ADJUSTING THE SLAT POSITION TO "OPEN"

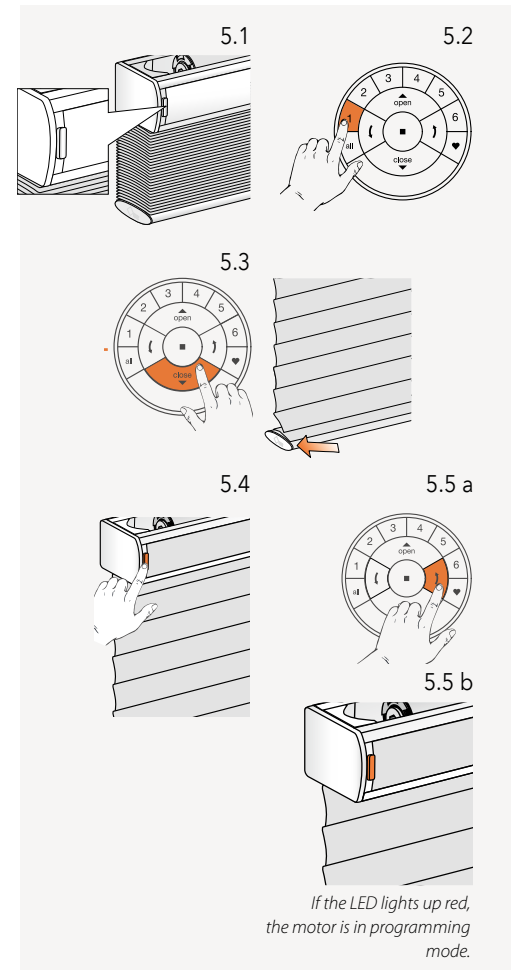
The OPEN position is automatically set when the system type is selected in the PowerView® programming tool.

Caution: Only perform the following steps if you are unhappy with the slat opening that has been set.

- 5.1 Find the Motor button on your system.
- 5.2 Press the channel button you want to use.
- 5.3 Press the CLOSE button to fully lower the system. Wait until the slats are fully closed.

Caution: You must perform the next two steps within three seconds!

- 5.4 Hold the Motor button down.
- 5.5 Hold the right arrow button down until the motor LED lights up red.

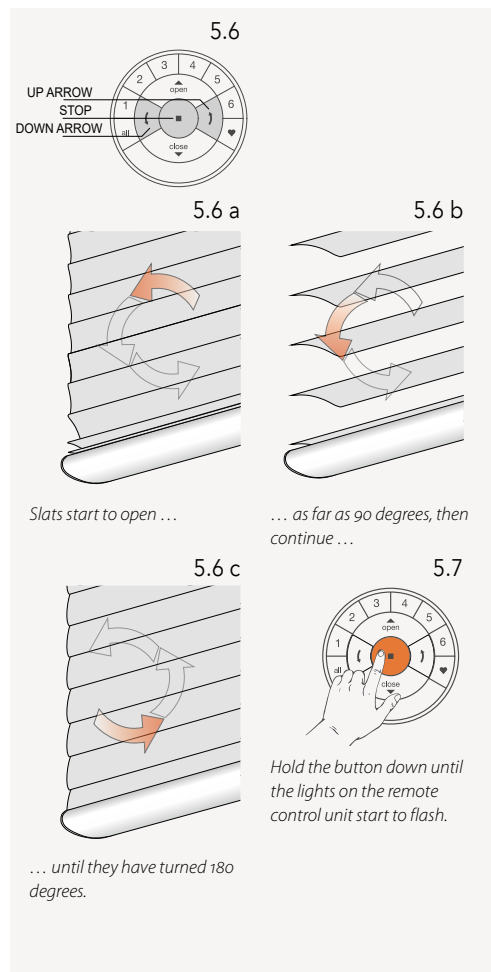


The product images are symbolic depictions that may differ from the actual products.

- 5.6 Set the maximum rotation position.
Do this using the two arrow buttons and the STOP button.

Caution: Do not set any channel button (1-6) on the remote control unit!

- 5.7 Hold the STOP button on the remote control unit down for six seconds.



The product images are symbolic depictions that may differ from the actual products.

Caution: You must perform the next two steps within three seconds!

5.8 Hold down the Motor button on the system.

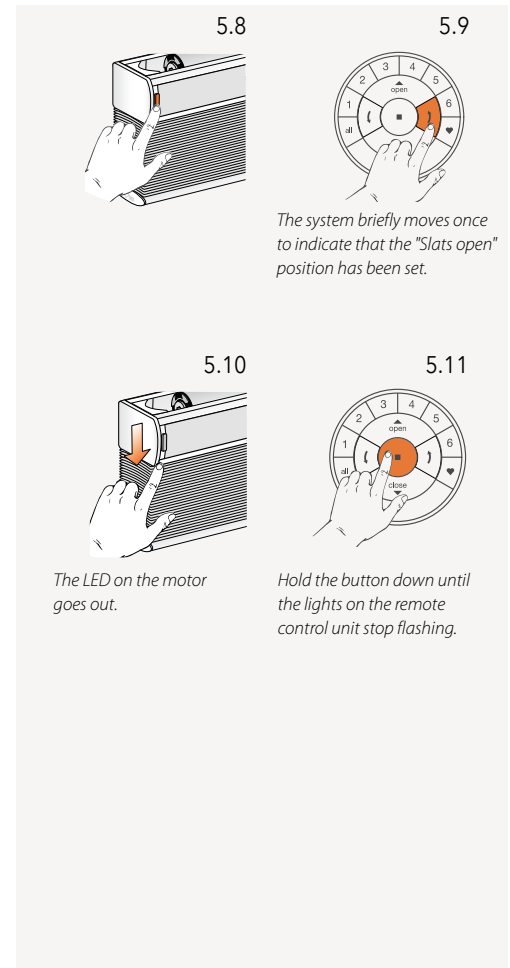
5.9 Press the right arrow button.

5.10 Release the Motor button.

5.11 If the buttons on the remote control unit are still flashing, the unit is still in programming mode. Hold the STOP button down for six seconds to make the unit exit programming mode.

Note: The remote control unit will automatically exit programming mode after 20 seconds.

5.12 The "Slats open" position is now set!

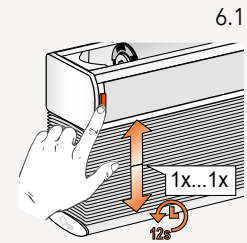


The product images are symbolic depictions that may differ from the actual products.

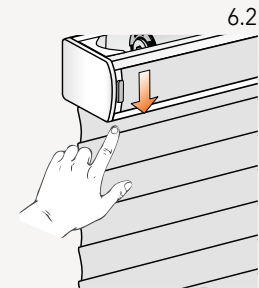
6. RESETTING THE NETWORK

The procedure below deletes all network data stored in the motor, including the network ID and channel assignments. It does not delete the end positions. Resetting the network data will render the PowerView® remote control unit or app incapable of controlling a sun protection system until that system is reprogrammed.

- 6.1 Hold the Motor button down for 12 seconds.
- 6.2 When the system moves briefly for a second time, release the Motor button. The network ID and channel assignments are deleted.



The system will briefly move once after six seconds and again after 12 seconds.






The product images are symbolic depictions that may differ from the actual products.




7. MOTOR INDICATOR LED

The motor indicator LED shows the motor status. The LED can light up either RED or GREEN. Below is an overview of the possible combinations.



LED flashes after switch-on

-  Start/restart
-  Type of system: 16 mm venetian blind
-  Type of system: 25 mm and 35 mm venetian blind



LED flashes after reset

-  Reset end positions (to factory settings), see section 1.
-  Reset the network using the Motor button
Type of system: 16 mm venetian blind, see section 1.3
-  Reset the network using the Motor button,
type of system: 25 mm and 35 mm venetian blind

LED flashes during battery or mains operation

-  Low battery charge level (< 11.0 V).
The system will operate slowly and can only move up.
-  Extremely low battery charge level (< 8.5 V).
The system will no longer operate; charge the battery now.

Other flashing signals

-  The maximum motor voltage has been reached, e.g. if the system has become stuck on an obstacle.
-  (constant) The motor is in programming mode (when adjusting the end positions).

Sequences of movement

One brief movement (up once, down once)



Operation confirmed

Two brief movements - operation declined



No end positions set



Bottom end position invalid



Top end position invalid

Three brief movements



Operation declined when adjusting the top end position: The end position could not be adjusted because no contact was made with the header rail. See section 4.1.5

Four brief movements



Operation declined when adjusting the end positions: invalid unit height

18 V ROLLER BLINDS

1. FACTORY SETTINGS

Upon delivery, neither the remote control unit nor the hub are connected. The end positions and motor have been preset for your product at the factory. If the motor setting is unknown prior to reprogramming, perform the steps below.

1.1 Checking the motor type

The motor has been set up for a roller blind. To check which motor type has been set, watch out for the sequence of LED lights that appears after the system is switched on.

1.1.1 Switch the motor on by connecting the power cable to the battery or the mains.

1.1.2 Watch the sequence of LED lights that appears on the Motor button immediately after connection.

1.1.3 LED sequence of a motor set up for a roller blind:



2. CONNECTING A REMOTE CONTROL UNIT TO A SUN PROTECTION SYSTEM

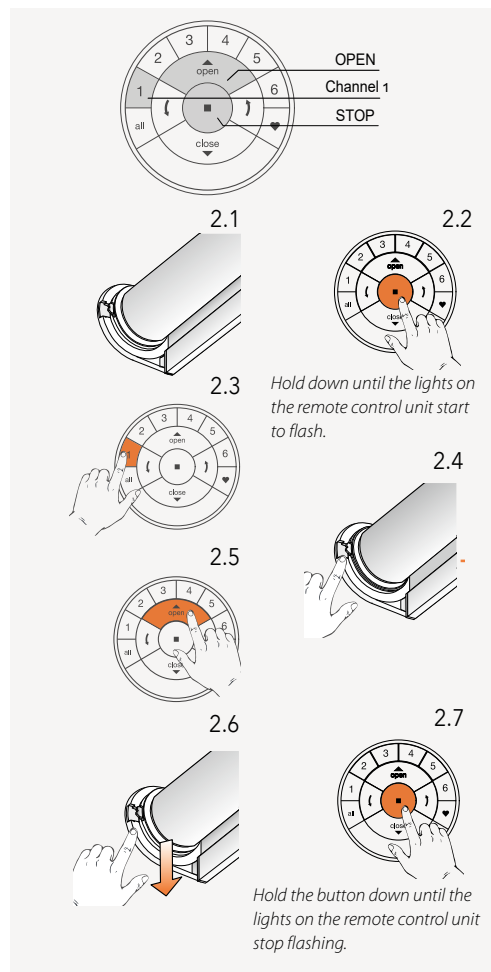
One PowerView® remote control unit can operate up to six individual system channels (buttons 1-6 on the top part of the remote control unit). Follow the instructions below to assign a system to a channel.

Caution: You must perform steps 2.4 and 2.5 within three seconds!

- 2.1 Find the Motor button on your system.
- 2.2 Hold the STOP button on the remote control unit down for six seconds.
- 2.3 Press the channel button you want to use.
- 2.4 Hold the Motor button down.
- 2.5 Press the OPEN button.
- 2.6 Release the Motor button.
- 2.7 If the buttons on the remote control unit are still flashing, the unit is still in programming mode. Hold the STOP button down for six seconds to make the unit exit programming mode.

Note: The remote control unit will automatically exit programming mode after 20 seconds.

The product images are symbolic depictions that may differ from the actual products.



3. CHECKING THE RUNNING DIRECTION

3.1 Setting the motor to programming mode

Caution: You must perform steps 3.1.1 and 3.1.2 within three seconds!

3.1.1 Hold the Motor button down.

3.1.2 Press the OPEN button on the remote control unit.

Note: Make sure that the required channel has been selected on the remote control unit.

3.1.3 Release the Motor button.

Caution: You must perform the next two steps immediately after one another to avoid mechanical damage.

Note: If the bottom end position is already set, you can skip the next three steps.

3.1.4 Press the left arrow button to check the running direction.

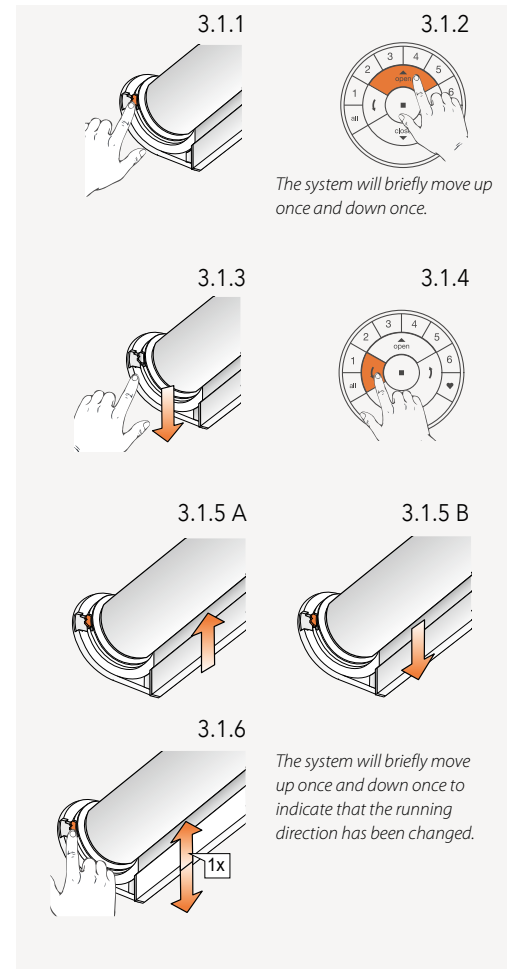
3.1.5 A) If the system moves up, the running direction is incorrect.
Press the STOP button immediately!

B) If the system moves down, the running direction is correct.
Press the STOP button and go to step 3.7.

Caution: The running direction can only be changed if the end positions have not been adjusted or reset.

3.1.6 Hold the Motor button down for one second to change the running direction.

The product images are symbolic depictions that may differ from the actual products.



4. ADJUSTING THE END POSITIONS

Whether you start with the top or bottom end position is irrelevant. These instructions start with the top end position.

4.1 Top end position

Note: Make sure that the required channel has been selected on the remote control unit.

4.1.1 Hold the Motor button down.

4.1.2 Press the OPEN button.

4.1.3 Release the Motor button.

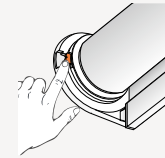
4.1.4 Press the OPEN, STOP and CLOSE buttons to move the system to the required position.

Caution: Do not select a channel button on the remote control unit.

4.1.5 Hold the STOP button down for six seconds.

The product images are symbolic depictions that may differ from the actual products.

4.1.1

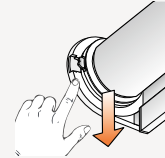


4.1.2

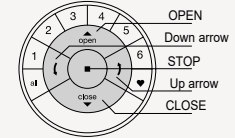


The system will briefly move up once and down once.

4.1.3

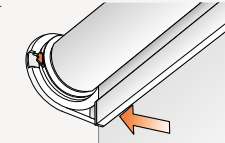


4.1.4



Press the left and right arrow buttons to set the exact position.

If the LED lights up red, the motor is in programming mode.



4.1.5



Hold down until the lights on the remote control unit start to flash.

Caution: You must perform steps 4.1.6 and 4.1.7 within three seconds!

Note: The remote control unit will automatically exit programming mode after 20 seconds.

4.1.6 Hold the Motor button down.

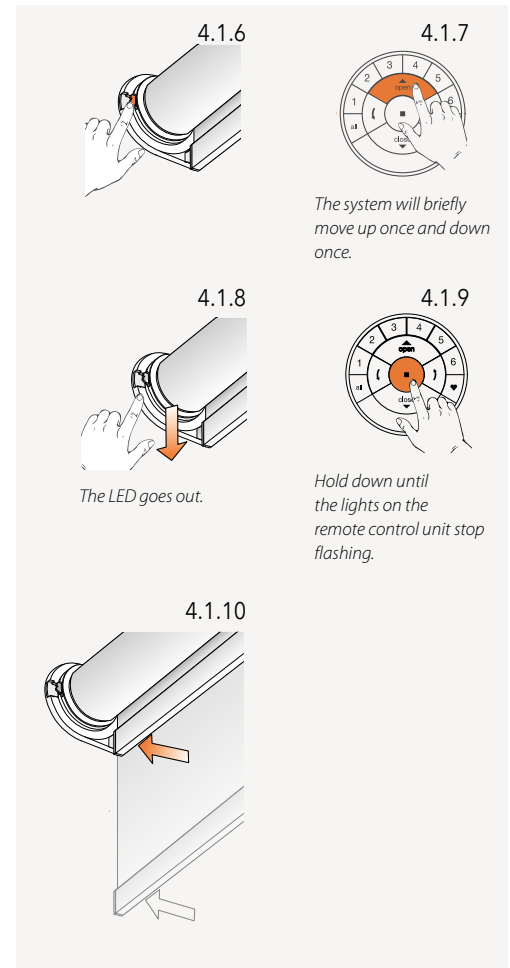
4.1.7 Press the OPEN button.

4.1.8 Release the Motor button.

4.1.9 If the buttons on the remote control unit are still flashing, the unit is still in programming mode. Hold the STOP button down for six seconds to make the unit exit programming mode.

4.1.10 The top end position is set!

Note: To readjust the top end position, repeat from step 4.1.



The product images are symbolic depictions that may differ from the actual products.

4.2 Bottom end position

Note: Make sure that the required channel has been selected on the remote control unit.

4.2.1 Hold the Motor button down.

4.2.2 Press the CLOSE button on the remote control unit.

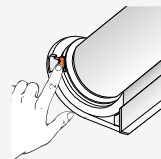
4.2.3 Release the Motor button.

4.2.4 Press the OPEN, STOP and CLOSE buttons to move the system to the required bottom position.

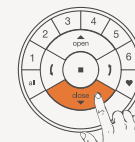
Caution: Do not select a channel button on the remote control unit.

4.2.5 Hold the STOP button down for six seconds.

4.2.1

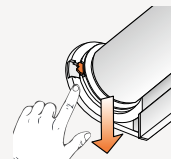


4.2.2

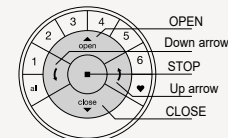


The system will briefly move up once and down once.

4.2.3

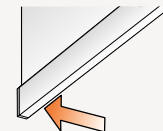


4.2.4



Press the left and right arrow buttons to set the exact position.

If the LED lights up red, the motor is in programming mode.



4.2.5



Hold down until the lights on the remote control unit start to flash.

The product images are symbolic depictions that may differ from the actual products.

Caution: You must perform steps 4.2.6 and 4.2.7 within three seconds!

4.2.6 Hold the Motor button down.

4.2.7 Press the CLOSE button.

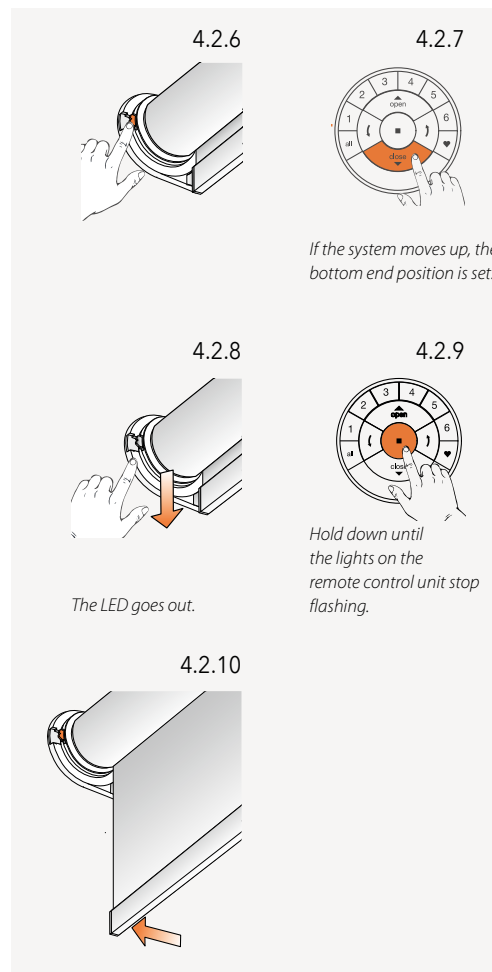
4.2.8 Release the Motor button.

4.2.9 If the buttons on the remote control unit are still flashing, the unit is still in programming mode. Hold the STOP button down for six seconds to make the unit exit programming mode. The bottom end position is set! The system then moves up automatically.

4.2.10 The bottom end position is set! The system then moves up automatically.

Note: The remote control unit will automatically exit programming mode after 20 seconds.

Note: To readjust the bottom end position, repeat from step 4.2.



The product images are symbolic depictions that may differ from the actual products.

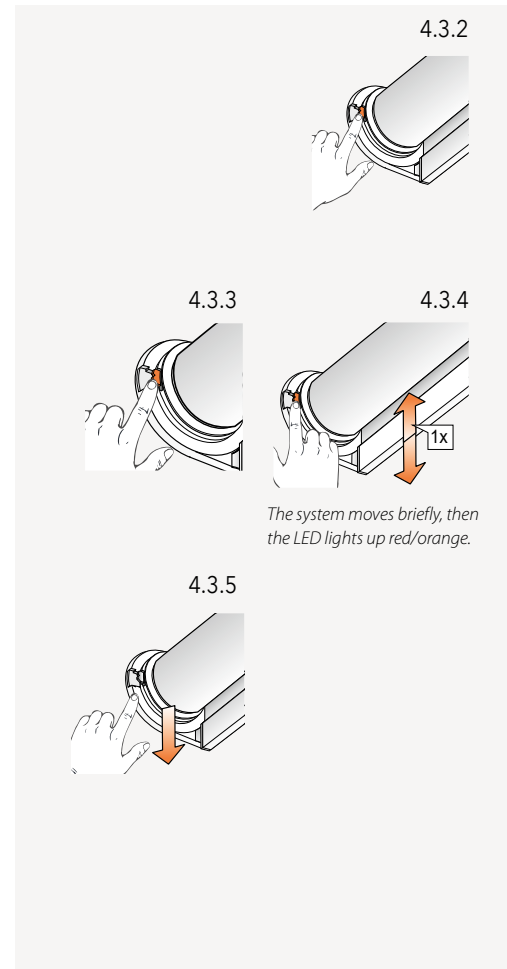
4.3 Resetting the end positions

The procedure below deletes all end position settings from the motor memory. It does not delete the network ID or the channel assignments. Resetting the end positions will render the PowerView® remote control unit or app incapable of controlling a sun protection system until that system is reprogrammed.

Note: You can skip the following steps if the motor is being connected for the first time or is fresh out of its packaging.

The system will briefly move up twice and down twice as soon as it receives a signal from the PowerView® (e.g. when the Motor button is pressed) to confirm that no end positions have been set.

- 4.3.1 Disconnect the motor power cable from the power source or the battery pack and wait for 20 seconds.
- 4.3.2 Hold the Motor button down.
- 4.3.3 Reconnect the motor to its power source while holding the Motor button down.
- 4.3.4 Hold the Motor button down until the system briefly moves up once and down once.
- 4.3.5 Release the Motor button.
The end positions are now deleted.

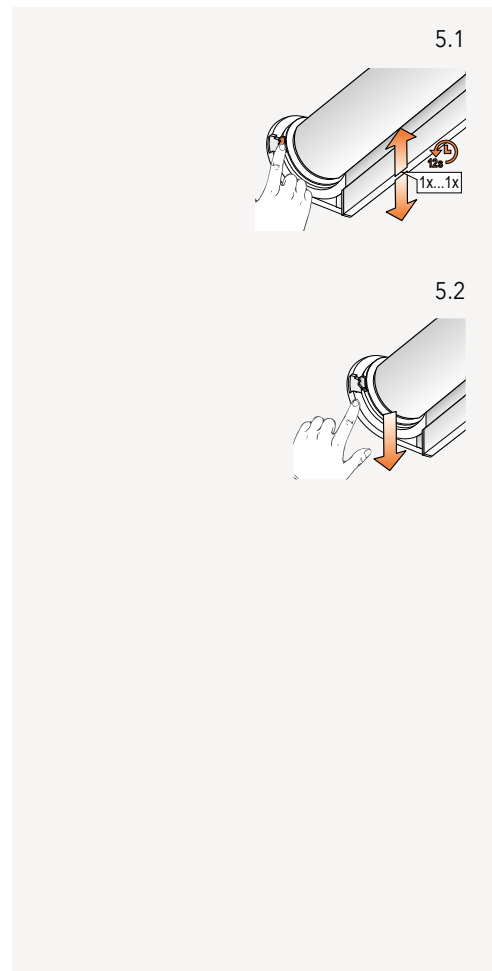


The product images are symbolic depictions that may differ from the actual products.

5. RESETTING THE NETWORK

The procedure below deletes all network data stored in the motor, including the network ID and channel assignments. It does not delete the end positions. Resetting the network data will render the PowerView® remote control unit or app incapable of controlling a sun protection system until that system is reprogrammed.

- 5.1 Hold the Motor button down for 12 seconds.
- 5.2 When the system moves briefly for a second time, release the Motor button. The network ID and channel assignments are deleted.



The product images are symbolic depictions that may differ from the actual products.

6. MOTOR INDICATOR LED

The motor indicator LED shows the motor status. The LED can light up either RED, ORANGE or GREEN. Below is an overview of the possible combinations.

No LED for 230 V version

LED flashes after switch-on



Start/restart



Type of system: Roller blind

LED flashes after reset



Reset end positions (to factory settings).



Reset the network using the Motor button
Type of system: Roller blind

LED flashes during battery operation



Low battery charge level (< 11.0 V).
The system will operate slowly and
can only move up.

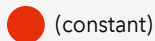


Extremely low battery charge level
(< 8.5 V).
The system will no longer operate;
charge the battery now.

Other flashing signals



The maximum motor voltage has been
reached, e.g. if the system has become
stuck on an obstacle.



The motor is in programming mode
(when adjusting the end positions).

230 V ROLLER BLINDS

Caution: Only trained and qualified personnel may install systems running on a 230 V power source. Do not connect the voltage until all installation work is complete.

1. FACTORY SETTINGS

Upon delivery, neither the remote control unit nor the hub are connected. The end positions and motor have been preset for your product at the factory.

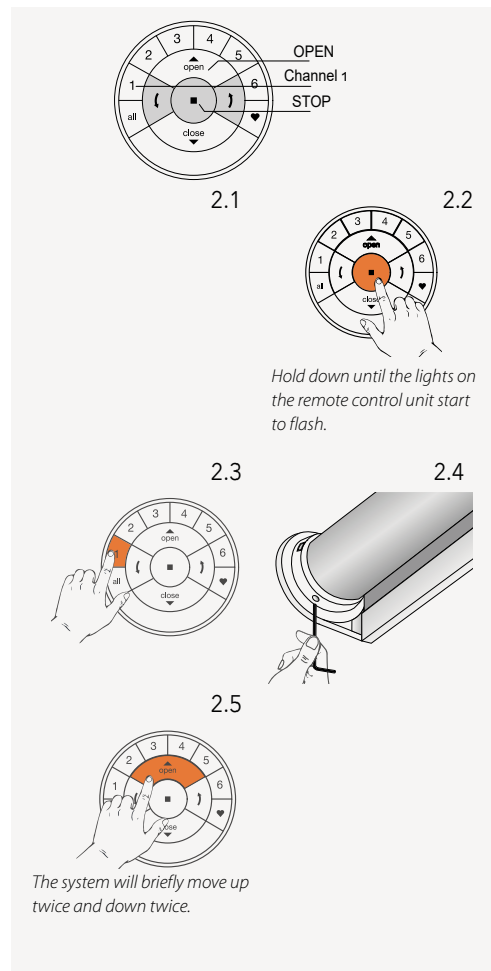
2. CONNECTING A REMOTE CONTROL UNIT TO A SUN PROTECTION SYSTEM

One PowerView® remote control unit can operate up to six individual system channels (buttons 1-6 on the top part of the remote control unit). Follow the instructions below to assign a system to a channel.

Caution: You must perform steps 2.4 and 2.5 within three seconds!

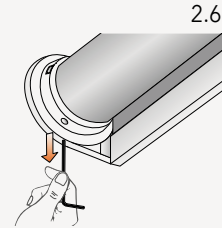
- 2.1 Find the Motor button on your system.
- 2.2 Hold the STOP button on the remote control unit down for six seconds.
- 2.3 Press the channel button you want to use.
- 2.4 Hold the Motor button down.
- 2.5 Press the OPEN button.
- 2.6 Release the Motor button.

The product images are symbolic depictions that may differ from the actual products.



- 2.7 The system moves up twice and down twice to indicate that it has been assigned to the channel button you want to use.
- 2.8 If the buttons on the remote control unit are still flashing, the unit is still in programming mode. Hold the STOP button down for four seconds to make the unit exit programming mode.

Note: The remote control unit will automatically exit programming mode after 20 seconds.



Hold the button down until the lights on the remote control unit stop flashing.

The product images are symbolic depictions that may differ from the actual products.

3. CHECKING AND CHANGING THE RUNNING DIRECTION

Caution: The running direction can only be changed when the motor is connected for the first time or when the end positions have been reset. Before programming the end positions, you should check the running direction and, if necessary, correct it. If the end positions have already been set and the running direction needs to be changed, always reset the end positions before continuing.

3.1 Changing the running direction

Caution: You must perform steps 3.1.1 and 3.1.2 within three seconds!

3.1.1 Hold the Motor button down.

3.1.2 Press the STOP button on the remote control unit.

Note: Make sure that no channel has been selected on the remote control unit.

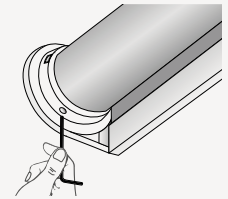
3.1.3 Release the Motor button.

Note: If the end positions have already been set, the system will not move to indicate that the running direction has not changed.

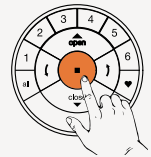
Check that no channel is selected, reset the end positions, then try again.

The product images are symbolic depictions that may differ from the actual products.

3.1.1

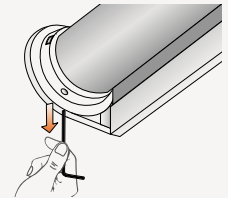


3.1.2



The system will briefly move up twice and down twice to indicate that the running direction has been changed.

3.1.3



3.2 Checking and confirming the running direction

Caution: You must perform steps 3.2.1 and 3.2.2 immediately after one another to avoid mechanical damage.

3.2.1 Press the left arrow button to check the running direction.

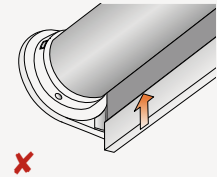
3.2.2 A) If the system moves up, the running direction is incorrect.
Press the STOP button immediately and repeat steps 3.1.1 to 3.1.3.

B) If the system moves down, the running direction is correct.
Press the STOP button and go to step 4.1.4.

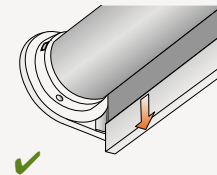
3.2.1



3.2.2 A



3.2.2 B



The product images are symbolic depictions that may differ from the actual products.

4. ADJUSTING THE END POSITIONS

Whether you start with the top or bottom end position is irrelevant. These instructions start with the top end position.

Note: It is important for the fabric to be wound tightly around the roller blind tube.

4.1 Top end position

4.1.1 Press the Motor button to move the system to the required top end position.

4.1.2 Press the OPEN, STOP and CLOSE buttons to fine-tune the top end position.

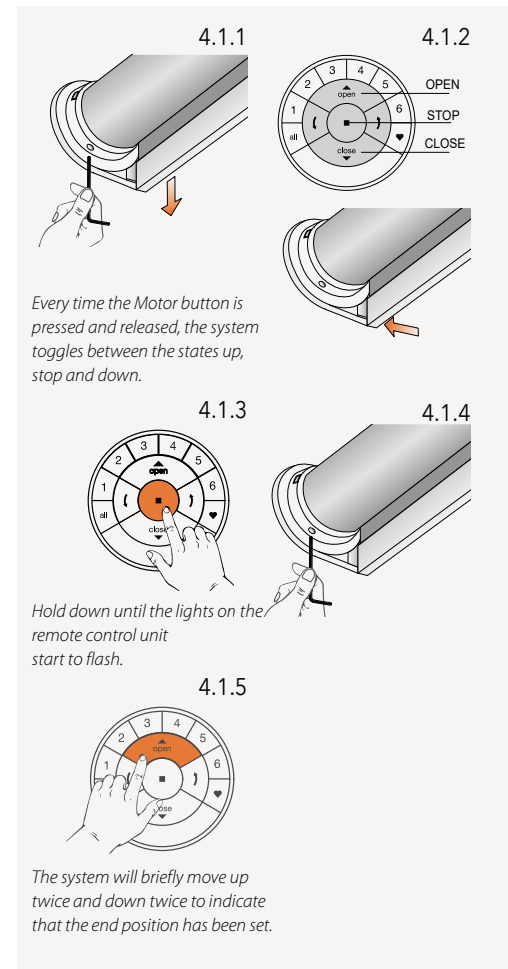
4.1.3 Hold the STOP button down for six seconds.

Caution: Do not select a channel button on the remote control unit.

4.1.4 Hold the Motor button down.

4.1.5 Press the OPEN button.

Caution: You must perform steps 4.1.6 and 4.1.7 within three seconds!



The product images are symbolic depictions that may differ from the actual products.

Note: The remote control unit will automatically exit programming mode after 20 seconds.

4.1.6 Release the Motor button.

4.1.7 If the buttons on the remote control unit are still flashing, the unit is still in programming mode. Hold the STOP button down for six seconds to make the unit exit programming mode.

4.1.8 The top end position is set!

Note: To readjust the top end position, repeat from step 4.1.



The product images are symbolic depictions that may differ from the actual products.

4.2 Bottom end position

4.2.1 Press the Motor button to move the system to the required bottom end position.

4.2.2 Press the OPEN, STOP and CLOSE buttons to fine-tune the bottom end position.

4.2.3 Hold the STOP button down for six seconds.

Caution: Do not select a channel button on the remote control unit.

4.2.4 Hold the Motor button down.

4.2.5 Press the CLOSE button.

Caution: You must perform steps 4.2.6 and 4.2.7 within three seconds!

Note: The remote control unit will automatically exit programming mode after 20 seconds.

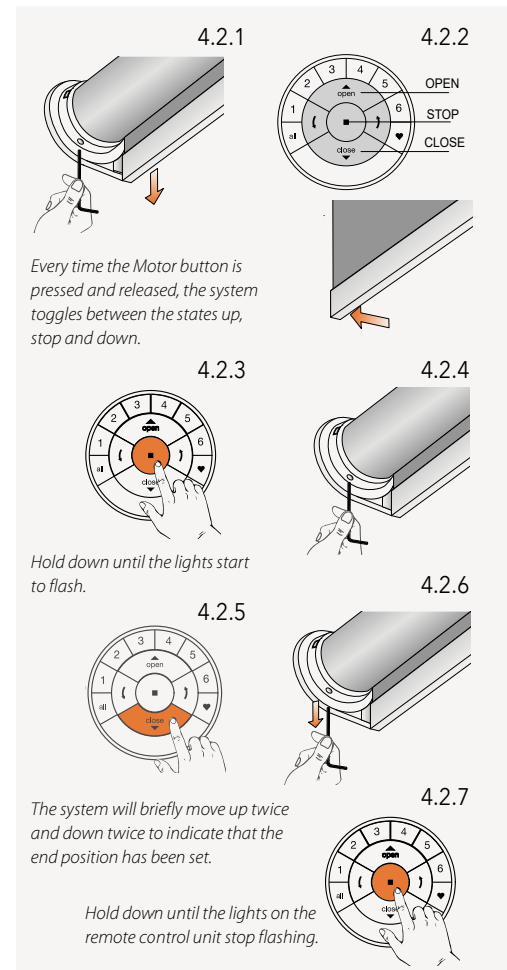
4.2.6 Release the Motor button.

4.2.7 If the buttons on the remote control unit are still flashing, the unit is still in programming mode. Hold the STOP button down for six seconds to make the unit exit programming mode.

4.2.8 The bottom end position is set.

Note: To readjust the bottom end position, repeat from step 4.2.

The product images are symbolic depictions that may differ from the actual products.



5. RESETTING THE END POSITIONS

5.1 Resetting the top end position.

5.1.1 Make sure that no channel has been selected on the remote control unit.

Caution: You must perform steps 5.1.2 and 5.1.3 within three seconds!

5.1.2 Hold the Motor button down.

5.1.3 Press the OPEN button.

5.1.4 Release the Motor button. The top end position is now deleted.

5.2 Resetting the bottom end position.

5.2.1 Make sure that no channel has been selected on the remote control unit.

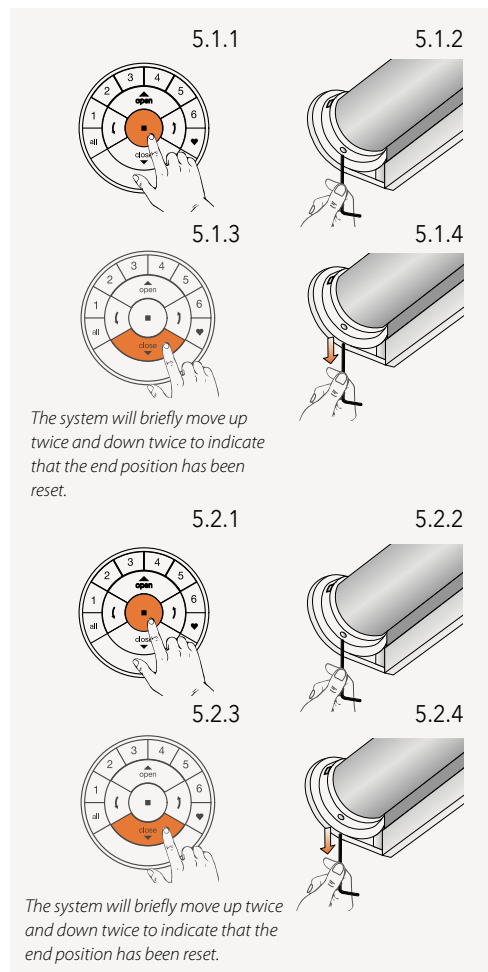
Caution: You must perform steps 5.2.2 and 5.2.3 within three seconds!

5.2.2 Hold the Motor button down.

5.2.3 Press the CLOSE button.

5.2.4 Release the Motor button. The bottom end position is now deleted.

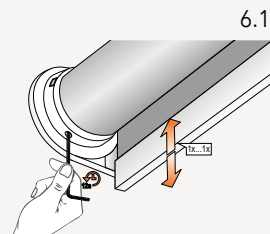
The product images are symbolic depictions that may differ from the actual products.



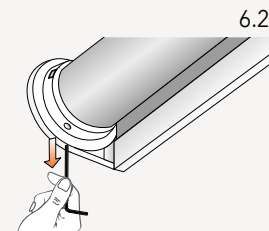
6. RESETTING THE NETWORK

The procedure below deletes all network data stored in the motor, including the network ID and channel assignments. It does not delete the end positions. Resetting the network data will render the PowerView® remote control unit or app incapable of controlling a sun protection system until that system is reprogrammed.

- 6.1 Hold the Motor button down for 12 seconds.
- 6.2 When the system moves briefly for a second time, release the Motor button. The network ID and channel assignments are deleted.



The system will briefly move once after six seconds and again after 12 seconds.



The product images are symbolic depictions that may differ from the actual products.

PLEATED AND DUETTE® BLINDS

1. FACTORY SETTINGS

Upon delivery, neither the remote control unit nor the hub are connected. The end positions and motor have been preset for your product at the factory. If the motor setting is unknown prior to reprogramming, perform the steps below.

1.1 Checking the motor type

The motor can be programmed for free-hanging systems: free-hanging pleated blinds or free-hanging Duette® blinds. The motor can also be programmed for tensioned systems: tensioned pleated blinds or tensioned Duette® blinds.

Caution: It is important to select the correct motor type!

The system behaves a little differently for each motor type.

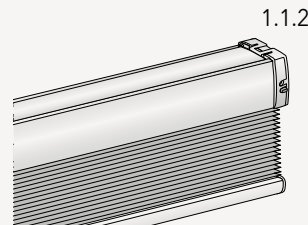
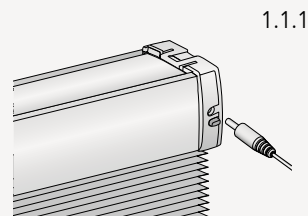
The correct motor type must be set, otherwise the PowerView® app will be unable to detect the system properly. To check which motor type has been set, watch out for the sequence of LED lights that appears after the system is switched on.

1.1.1 Switch the motor on by connecting the power cable to the battery or the mains.

1.1.2 Watch the sequence of LED lights that appears on the Motor button immediately after connection.

● ● ● Free-hanging pleated blind ● ● ● ● Tensioned pleated blind

● ● ● Free-hanging Duette® blind ● ● ● ● Tensioned Duette® blind



2. CONNECTING A REMOTE CONTROL UNIT TO A SUN PROTECTION SYSTEM

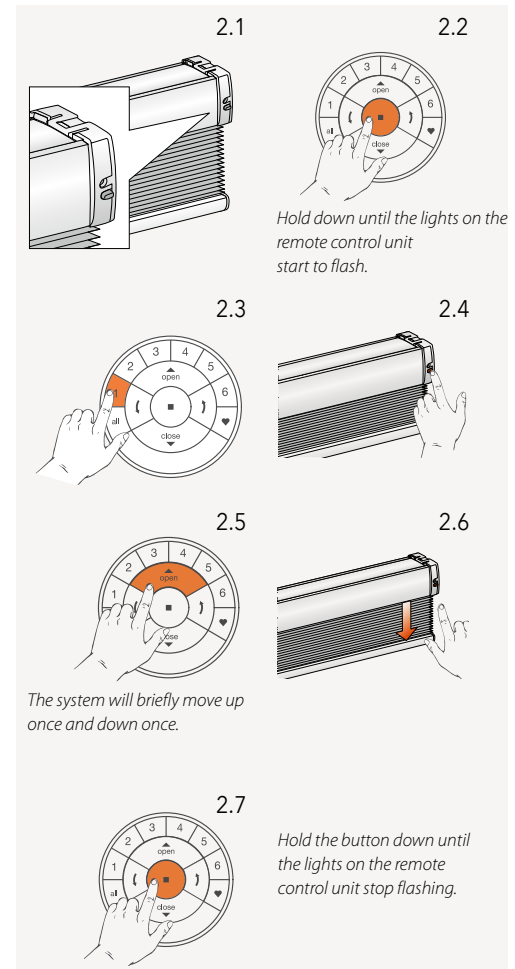
One PowerView® remote control unit can operate up to six individual system groups (buttons 1-6 on the top part of the remote control unit). Follow the instructions below to assign a system to a group.

Caution: You must perform steps 2.4 and 2.5 within three seconds!

- 2.1 Find the Motor button on your system.
- 2.2 Hold the STOP button on the remote control unit down for six seconds.
- 2.3 Press the channel button you want to use.
- 2.4 Hold the Motor button down.
- 2.5 Press the OPEN button.
- 2.6 Release the Motor button.
- 2.7 If the buttons on the remote control unit are still flashing, the unit is still in programming mode. Hold the STOP button down for six seconds to make the unit exit programming mode.

Note: The remote control unit will automatically exit programming mode after 20 seconds.

The product images are symbolic depictions that may differ from the actual products.



3. CHECKING THE RUNNING DIRECTION

Caution: The running direction can only be changed when the motor is connected for the first time or when the end positions have been reset. Before programming the end positions, you should check the running direction and, if necessary, correct it. If the end positions have already been set and the running direction needs to be changed, always reset the end positions before continuing.

3.1 Setting the motor to programming mode

Caution: You must perform steps 3.1.1 and 3.1.2 within three seconds!

3.1.1 Hold the Motor button down.

3.1.2 Press the OPEN button on the remote control unit.

Note: Make sure that the required channel has been selected on the remote control unit.

3.1.3 Release the Motor button.

3.2 Checking and confirming

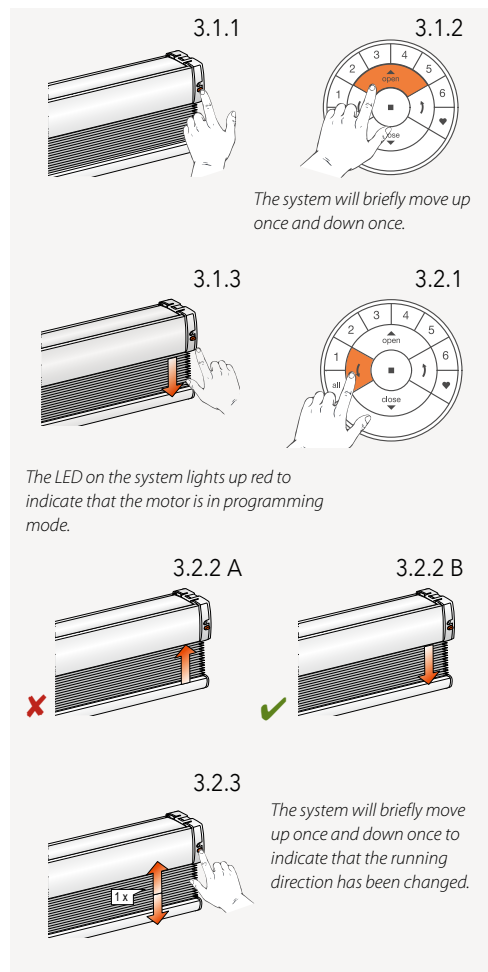
3.2.1 Press the left arrow button to check the running direction.

3.2.2 A) If the system moves up, press the STOP button immediately.
B) If the system moves down, press the STOP button and go to step 4.1.4.

3.2.3 Hold the Motor button down for one second to change the running direction.

3.2.4 Go to step 4.1.4.

The product images are symbolic depictions that may differ from the actual products.



4. ADJUSTING THE END POSITIONS

Whether you start with the top or bottom end position is irrelevant. These instructions start with the top end position.

4.1 Top end position

4.1.1 Hold the Motor button down.

4.1.2 Press the OPEN button.

Note: Make sure that the required channel has been selected on the remote control unit.

4.1.3 Release the Motor button.

4.1.4 Press the OPEN, STOP and CLOSE buttons to move the system until it is about 20 cm below the header rail.

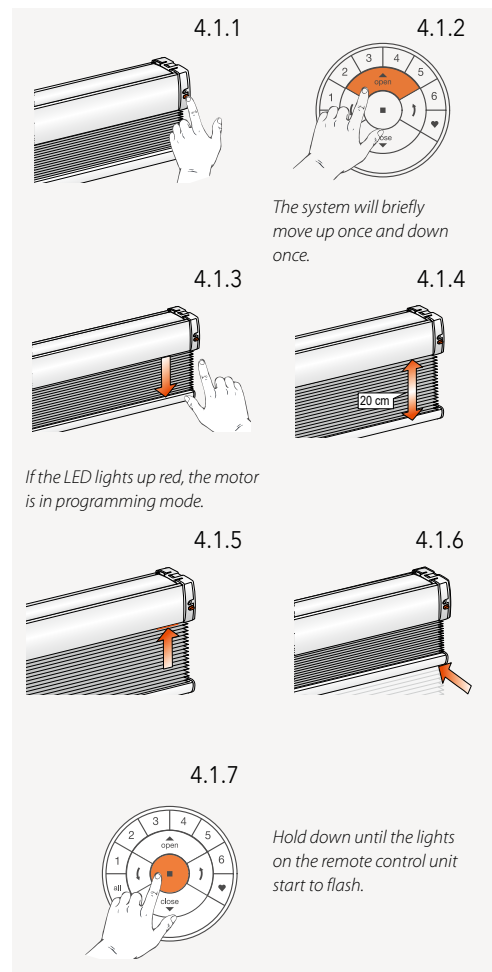
4.1.5 Press the OPEN button to raise the system up to the header rail. The motor will stop as soon as the system touches the header rail.

4.1.6 Press the OPEN, STOP and CLOSE buttons to move the system to the required top end position.

Caution: Do not select a channel button on the remote control unit.

4.1.7 Hold the STOP button down for six seconds.

The product images are symbolic depictions that may differ from the actual products.



Caution: You must perform steps 4.1.8 and 4.1.9 within three seconds!

Note: The remote control unit will automatically exit programming mode after 20 seconds.

4.1.8 Hold the Motor button down.

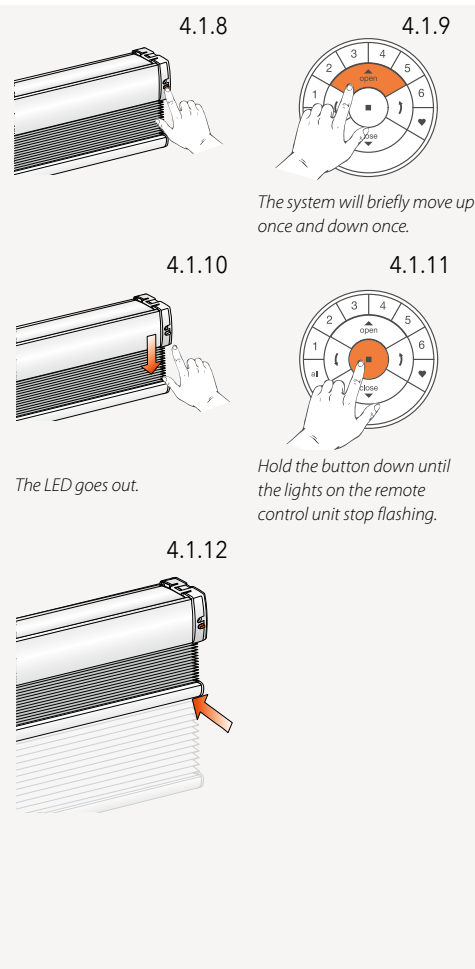
4.1.9 Press the OPEN button at the same time.

4.1.10 Release the Motor button.

4.1.11 If the buttons on the remote control unit are still flashing, the unit is still in programming mode. Hold the STOP button down for six seconds to make the unit exit programming mode.

4.1.12 The top end position is set!

Note: To readjust the top end position, repeat from step 4.1.



The product images are symbolic depictions that may differ from the actual products.

4.2 Bottom end position

Note: Make sure that the required channel has been selected on the remote control unit.

4.2.1 Hold the Motor button down.

4.2.2 Press the CLOSE button on the remote control unit at the same time.

4.2.3 Release the Motor button.

4.2.4 Press the OPEN, STOP and CLOSE buttons to move the system to the required bottom position.

Caution: Do not select a channel button on the remote control unit!

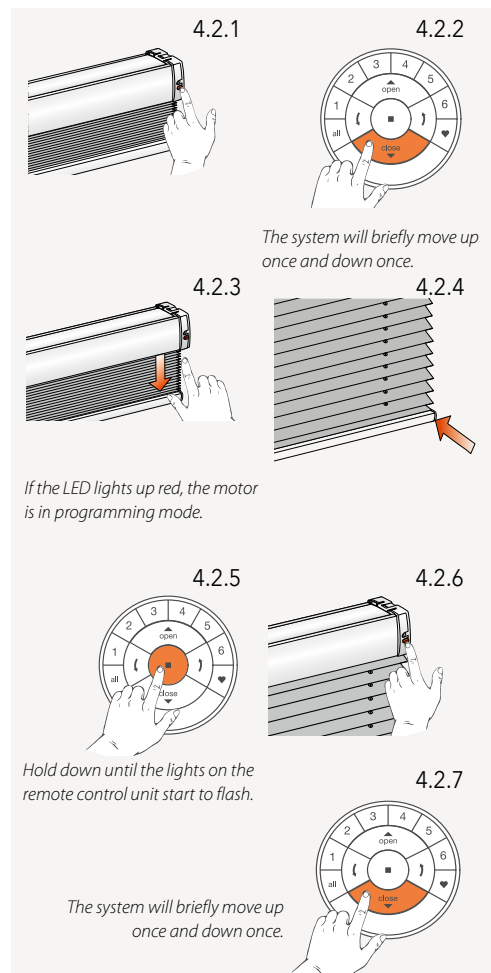
4.2.5 Hold the STOP button down for six seconds.

Caution: You must perform steps 4.2.6 and 4.2.7 within three seconds!

4.2.6 Hold the Motor button down.

4.2.7 Press the CLOSE button.

The product images are symbolic depictions that may differ from the actual products.



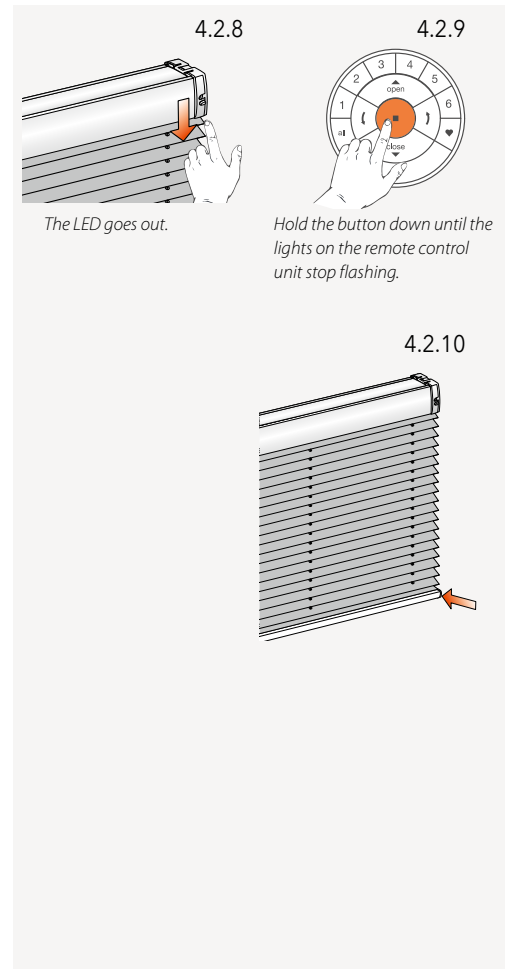
4.2.8 Release the Motor button.

4.2.9 If the buttons on the remote control unit are still flashing, the unit is still in programming mode. Hold the STOP button down for six seconds to make the unit exit programming mode.

Note: The remote control unit will automatically exit programming mode after 20 seconds.

4.2.10 The bottom end position is set!

Note: To readjust the bottom end position, repeat from step 4.2.

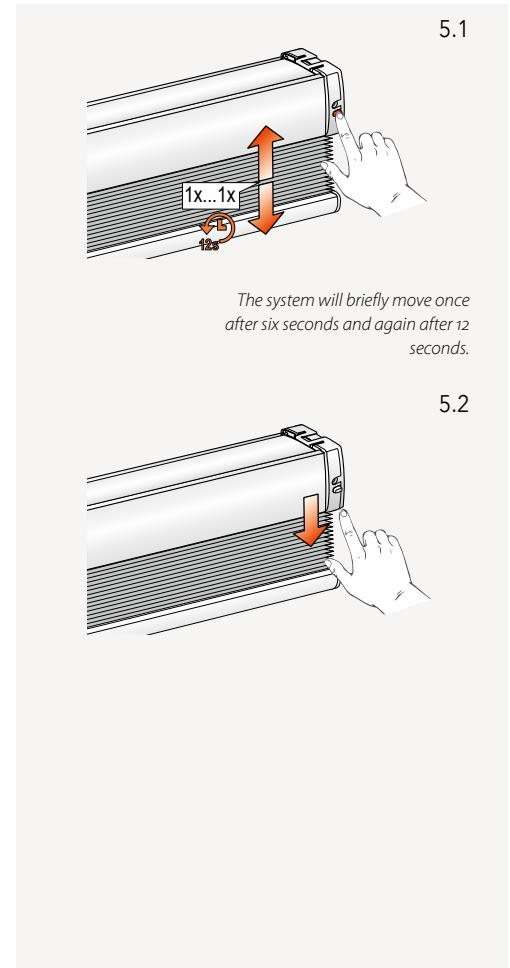


The product images are symbolic depictions that may differ from the actual products.

5. RESETTING THE NETWORK

The procedure below deletes all network data stored in the motor, including the network ID and channel assignments. It does not delete the end positions. Resetting the network data will render the PowerView® remote control unit or app incapable of controlling a sun protection system until that system is reprogrammed.

- 5.1 Hold the Motor button down for 12 seconds.
- 5.2 When the system moves briefly for a second time, release the Motor button. The network ID and channel assignments are deleted.








The product images are symbolic depictions that may differ from the actual products.




6. MOTOR INDICATOR LED


The motor indicator LED shows the motor status. The LED can light up either RED or GREEN. Below is an overview of the possible combinations.


LED flashes after switch-on

	Start/restart
	Type of system: Free-hanging pleated blind
	Type of system: Free-hanging Duette® blind
	Type of system: Tensioned pleated blind
	Type of system: Tensioned Duette® blind


LED flashes after reset


	Reset end positions (to factory settings).
	Reset the network using the Motor button (type of system: free-hanging pleated blind).
	Reset the network using the Motor button (type of system: free-hanging Duette® blind).

 Reset the network using the Motor button, (type of system: tensioned pleated blind).


 Reset the network using the Motor button (type of system: tensioned Duette® blind).


LED flashes during battery operation

 Low battery charge level (< 11.0 V). The system will operate slowly and can only move up.

 Extremely low battery charge level (< 8.5 V). The system will no longer operate; charge the battery now.


Other flashing signals

 The maximum motor voltage has been reached, e.g. if the system has become stuck on an obstacle.


 (constant) The motor is in programming mode (when adjusting the end positions).


Sequences of movement


One brief movement (up once, down once)

 Operation confirmed


Two brief movements - operation declined

 No end positions set


 Bottom end position invalid

 Top end position invalid

Three brief movements

 Operation declined when adjusting the top end position:
The end position could not be adjusted because no contact was made with the header rail. See section 4.1.5

Four brief movements

 Operation declined when adjusting the end positions: invalid unit height

VERTICAL

1. FACTORY SETTINGS

Upon delivery, neither the remote control unit nor the hub are connected. The end positions and motor have been preset for your product at the factory.

If the motor setting is unknown prior to reprogramming, perform the steps below.

1.1 Checking the motor type

The motor can be programmed as a vertical system with the blind configured on the left, right or with a split configuration.

Caution: It is important to select the correct motor type!

The system behaves a little differently for each motor type.

The correct motor type must be set, otherwise the PowerView® app will be unable to detect the system properly. To check which motor type has been set, watch out for the sequence of LED lights that appears after the system is switched on.

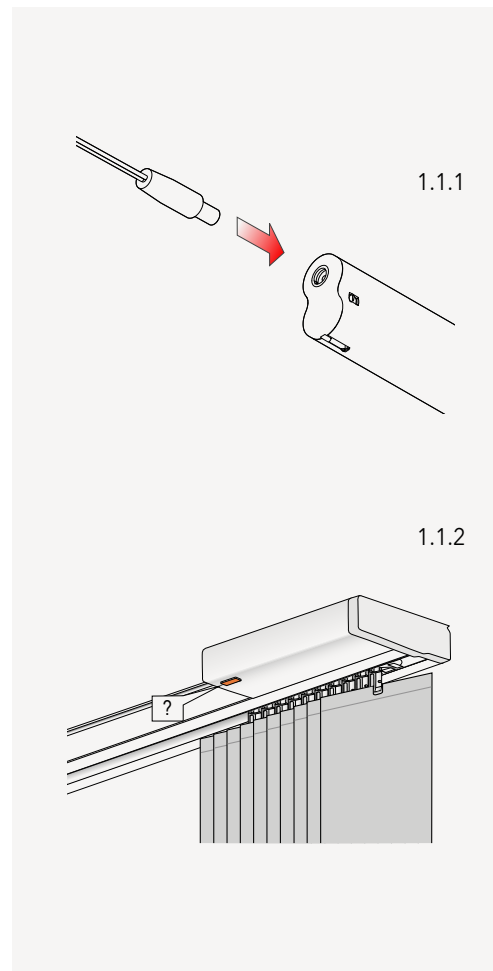
1.1.1 Switch the motor on by connecting the power cable to the battery or the mains.

1.1.2 Watch the sequence of LED lights that appears on the Motor button immediately after connection.

● ● ● ● ● Blind configured on the left

● ● ● ● ● Blind configured on the right

● ● ● ● ● Blind with a split configuration



The product images are symbolic depictions that may differ from the actual products.

2. CONNECTING A REMOTE CONTROL UNIT TO A SUN PROTECTION SYSTEM

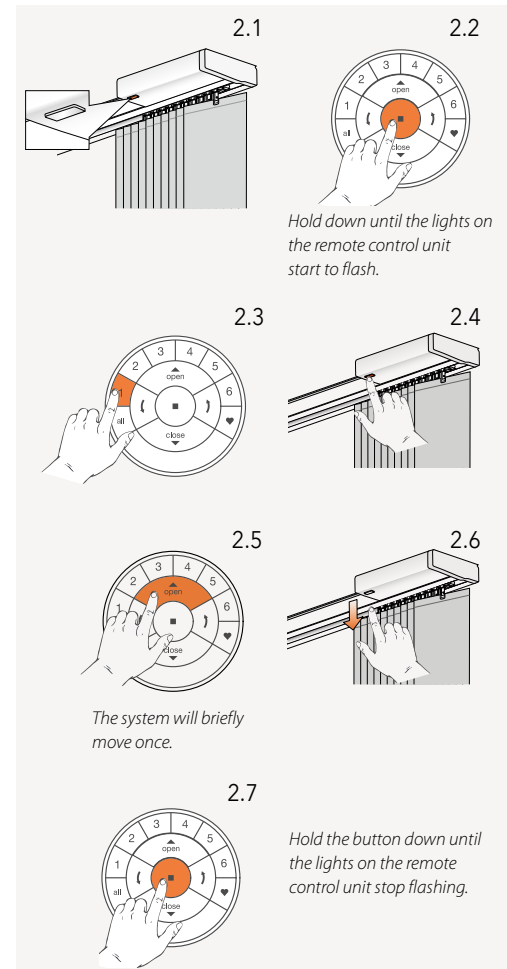
One PowerView® remote control unit can operate up to six individual system groups (buttons 1–6 on the top part of the remote control unit). Follow the instructions below to assign a system to a group.

Caution: You must perform steps 2.4 and 2.5 within three seconds!

- 2.1 Find the Motor button on your system.
- 2.2 Hold the STOP button on the remote control unit down for six seconds.
- 2.3 Press the channel button you want to use.
- 2.4 Hold the Motor button down.
- 2.5 Press the OPEN button.
- 2.6 Release the Motor button.
- 2.7 If the buttons on the remote control unit are still flashing, the unit is still in programming mode. Hold the STOP button down for six seconds to make the unit exit programming mode.

Note: The remote control unit will automatically exit programming mode after 20 seconds.

The product images are symbolic depictions that may differ from the actual products.



3. CHECKING THE RUNNING DIRECTION

Caution: The running direction can only be changed when the motor is connected for the first time or when the end positions have been reset. Before programming the end positions, you should check the running direction and, if necessary, correct it. If the end positions have already been set and the running direction needs to be changed, always reset the end positions before continuing.

3.1 Setting the motor to programming mode

Caution: You must perform steps 3.1.1 and 3.1.2 within three seconds!

3.1.1 Hold the Motor button down.

3.1.2 Press the OPEN button on the remote control unit.

Note: Make sure that the required channel has been selected on the remote control unit.

3.1.3 Release the Motor button.

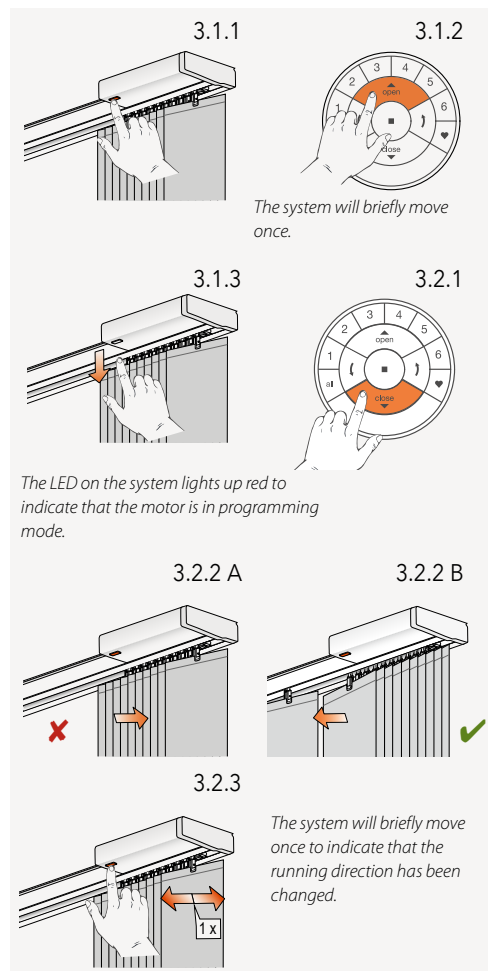
3.2 Checking and confirming

3.2.1 Press the CLOSE button to check the running direction.

3.2.2 A) If the system moves up, press the STOP button immediately.
B) If the system moves down, press the STOP button and go to step 4.1.4.

3.2.3 Hold the Motor button down for one second to change the running direction.

3.2.4 Go to step 4.1.4.



The product images are symbolic depictions that may differ from the actual products.

4. ADJUSTING THE END POSITIONS

Whether you start with the open or closed end position is irrelevant. These instructions start with the open end position.

4.1 Open end position

4.1.1 Hold the Motor button down.

4.1.2 Press the OPEN button.

Note: Make sure that the required channel has been selected on the remote control unit.

4.1.3 Release the Motor button.

4.1.4 Press the OPEN, STOP and CLOSE buttons to move the first slat about 20 cm out of the package.

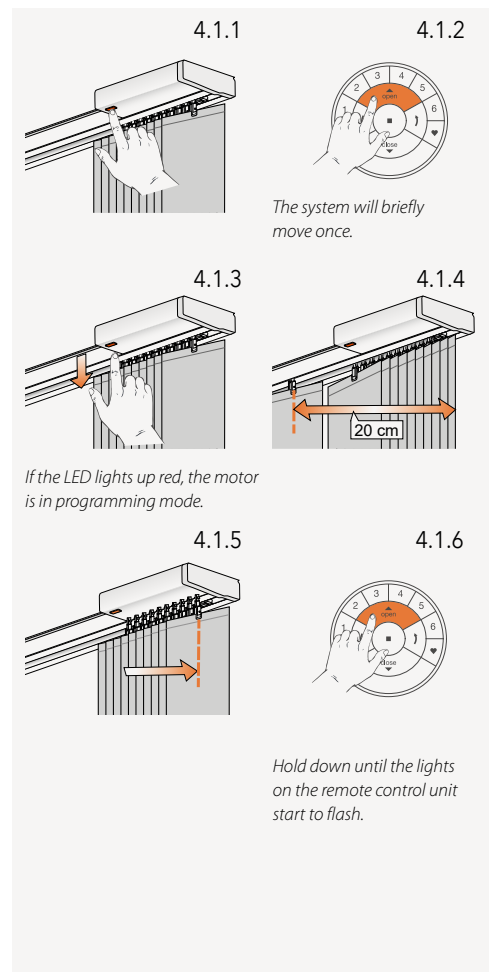
4.1.5 Press the OPEN button to open the system. The motor will stop as soon as the system reaches its mechanical end position.

Caution: The motor must keep moving until it reaches the end of the header rail.

4.1.6 Hold the STOP button down for six seconds.

Caution: Do not select a channel button on the remote control unit.

The product images are symbolic depictions that may differ from the actual products.



Caution: You must perform steps 4.1.6 and 4.1.7 within three seconds!

Note: The remote control unit will automatically exit programming mode after 20 seconds.

4.1.7 Hold the Motor button down.

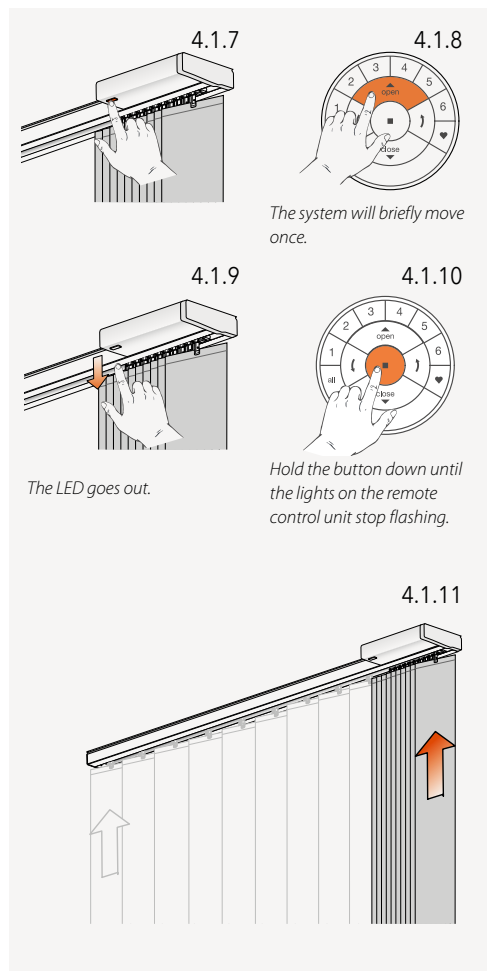
4.1.8 Press the OPEN button at the same time.

4.1.9 Release the Motor button.

4.1.10 If the buttons on the remote control unit are still flashing, the unit is still in programming mode. Hold the STOP button down for six seconds to make the unit exit programming mode.

4.1.11 The open end position is set!

Note: To readjust the open end position, repeat from step 4.1.



The product images are symbolic depictions that may differ from the actual products.

4.2 Closed end position

Note: Make sure that the required channel has been selected on the remote control unit.

4.2.1 Hold the Motor button down.

4.2.2 Press the CLOSE button on the remote control unit at the same time.

4.2.3 Release the Motor button.

Caution: Stop the system at the end position you want.

Do not allow the system to reach its mechanical end position.

4.2.4 Press the OPEN, STOP and CLOSE buttons to move the system to the required end position.

Caution: Do not select a channel button on the remote control unit!

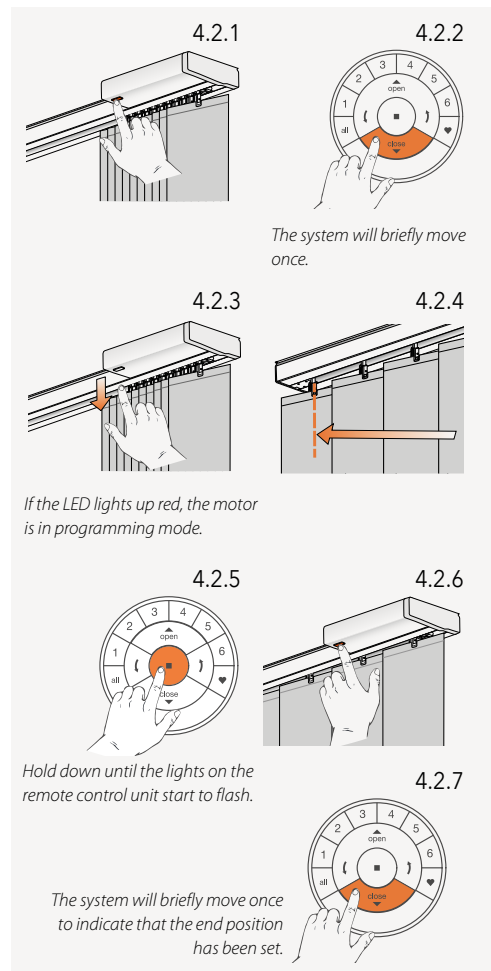
4.2.5 Hold the STOP button down for six seconds.

Caution: You must perform steps 4.2.6 and 4.2.7 within three seconds!

4.2.6 Hold the Motor button down.

4.2.7 Press the CLOSE button.

The product images are symbolic depictions that may differ from the actual products.



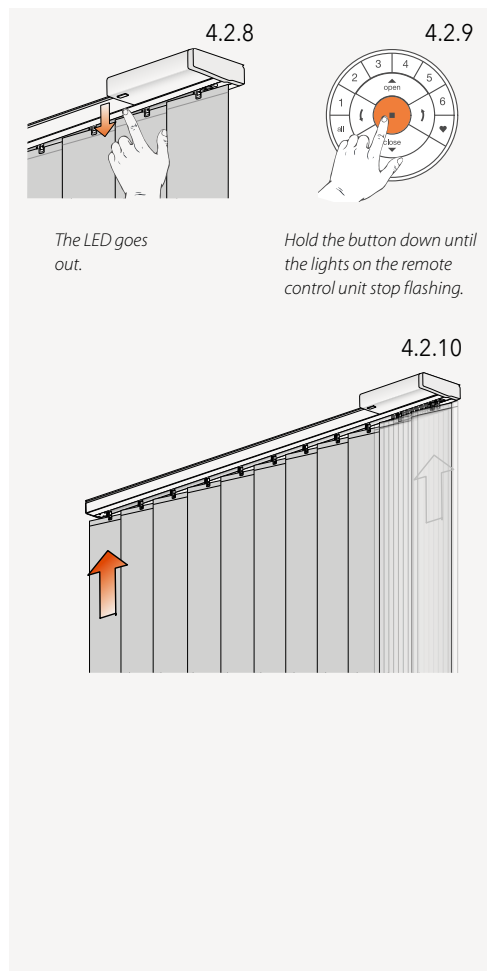
4.2.8 Release the Motor button.

4.2.9 If the buttons on the remote control unit are still flashing, the unit is still in programming mode. Hold the STOP button down for six seconds to make the unit exit programming mode.

Note: The remote control unit will automatically exit programming mode after 20 seconds.

4.2.10 The closed end position is set!

Note: To readjust the closed end position, repeat from step 4.2.



The product images are symbolic depictions that may differ from the actual products.

4.3 Resetting the end positions

The procedure below deletes all end position settings from the motor memory. It does not delete the network ID or the channel assignments. Resetting the end positions will render the PowerView® remote control unit or app incapable of controlling a sun protection system until that system is reprogrammed.

4.3.1 Disconnect the motor power cable from the power source or the battery and wait for 20 seconds.

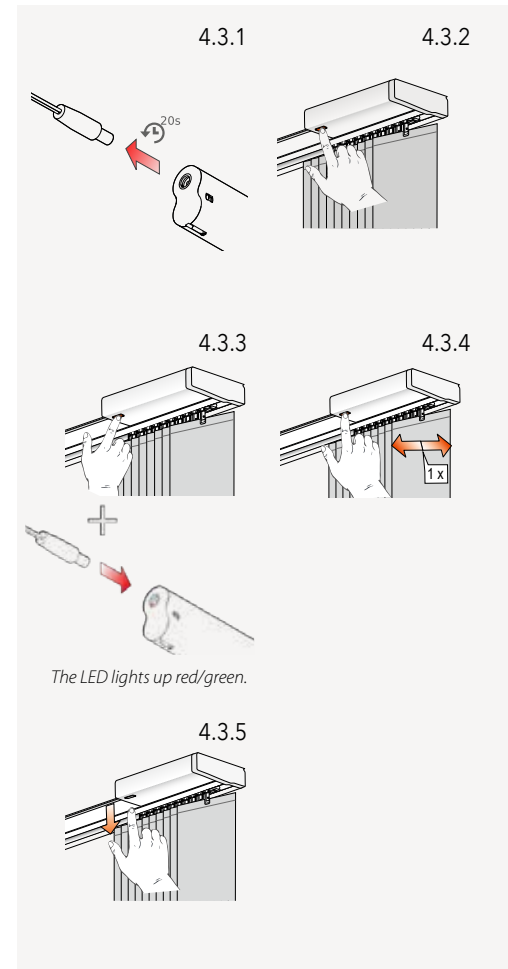
4.3.2 Hold the Motor button down.

4.3.3 Reconnect the motor to its power source while holding the Motor button down.

4.3.4 Hold the Motor button down until the system briefly moves up once and down once.

4.3.5 Release the Motor button.

The end positions are now deleted.



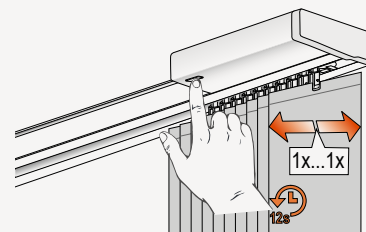
The product images are symbolic depictions that may differ from the actual products.

5. RESETTING THE NETWORK

The procedure below deletes all network data stored in the motor, including the network ID and channel assignments. It does not delete the end positions. Resetting the network data will render the PowerView® remote control unit or app incapable of controlling a sun protection system until that system is reprogrammed.

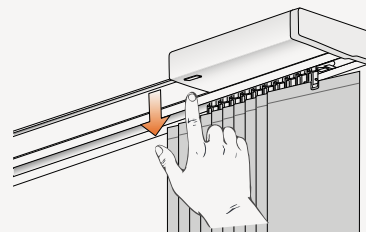
- 5.1 Hold the Motor button down for 12 seconds.
- 5.2 When the system briefly moves a second time, release the Motor button.
The network ID and channel assignments are deleted.

5.1



The system will briefly move once after six seconds and again after 12 seconds.

5.2



The product images are symbolic depictions that may differ from the actual products.

6. MOTOR INDICATOR LED

The motor indicator LED shows the motor status. The LED can light up either RED or GREEN. Below is an overview of the possible combinations.

LED flashes after switch-on



Start/restart



Vertical system, blind configured on left



Vertical system, blind configured on right



Vertical system, blind with split configuration

LED flashes after reset



Reset end positions (to factory settings).



Reset the network using the Motor button (type of system: vertical system, blind configured on left), see section 1.3.

LED flashes during battery operation



Low battery charge level (< 11.0 V). The system will operate slowly and can only move up.



Extremely low battery charge level (< 8.5 V). The system will no longer operate; charge the battery now.

Other flashing signals



The maximum motor voltage has been reached, e.g. if the system has become stuck on an obstacle.



The motor is in programming mode (when adjusting the end positions).

Sequences of movement

One brief movement



Operation confirmed

Two brief movements - operation declined



No end positions set



Closed end position invalid



Open end position invalid

Three brief movements



Operation declined when adjusting the open end position:
The end position could not be adjusted because no contact
was made with the end of the header rail. See section 4.1.5

Four brief movements



Operation declined when adjusting the end positions: invalid
system setting



A revolutionary system that moves
your sun protection product automatically,
so you do not have to lift a finger!

<https://www.mhz.de/pv-manual/>

